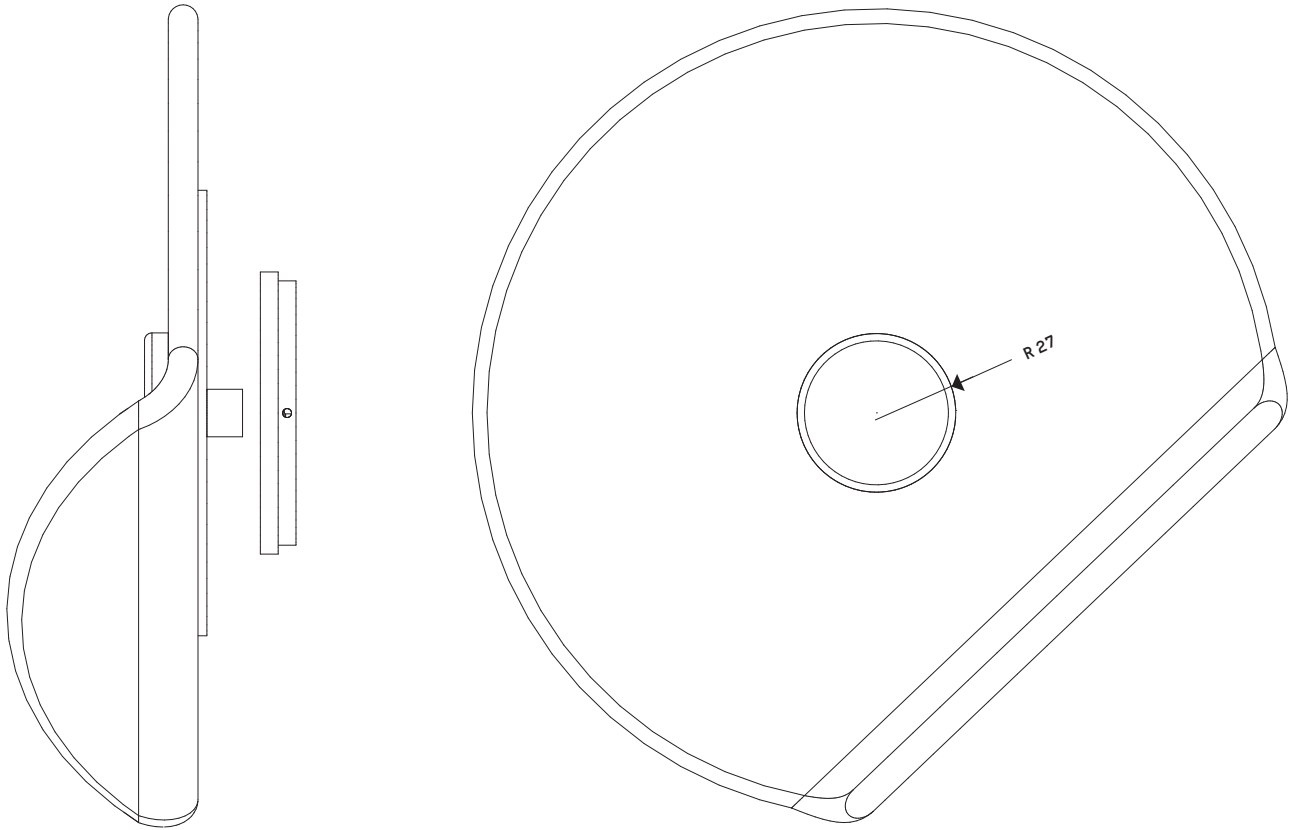




Melt Collection

Melt Collection
Wall Sconce





Channel old world glamour with this soft sculptural form resembling a gently unfurling flower.

When lit, Melt washes the surrounding walls with soft and subtle light, reflecting the unique artisanal materiality of mouthblown glass.

The organic fluidity of form makes it a quietly decorative piece with a sculptural elegance.

Lead time
8 - 10 weeks

Light source
12V, G4 2.6W LED (3000k)
Requires driver/transformer
installation
Dimmable upon request

Dimensions
Face plate
Diameter 90mm

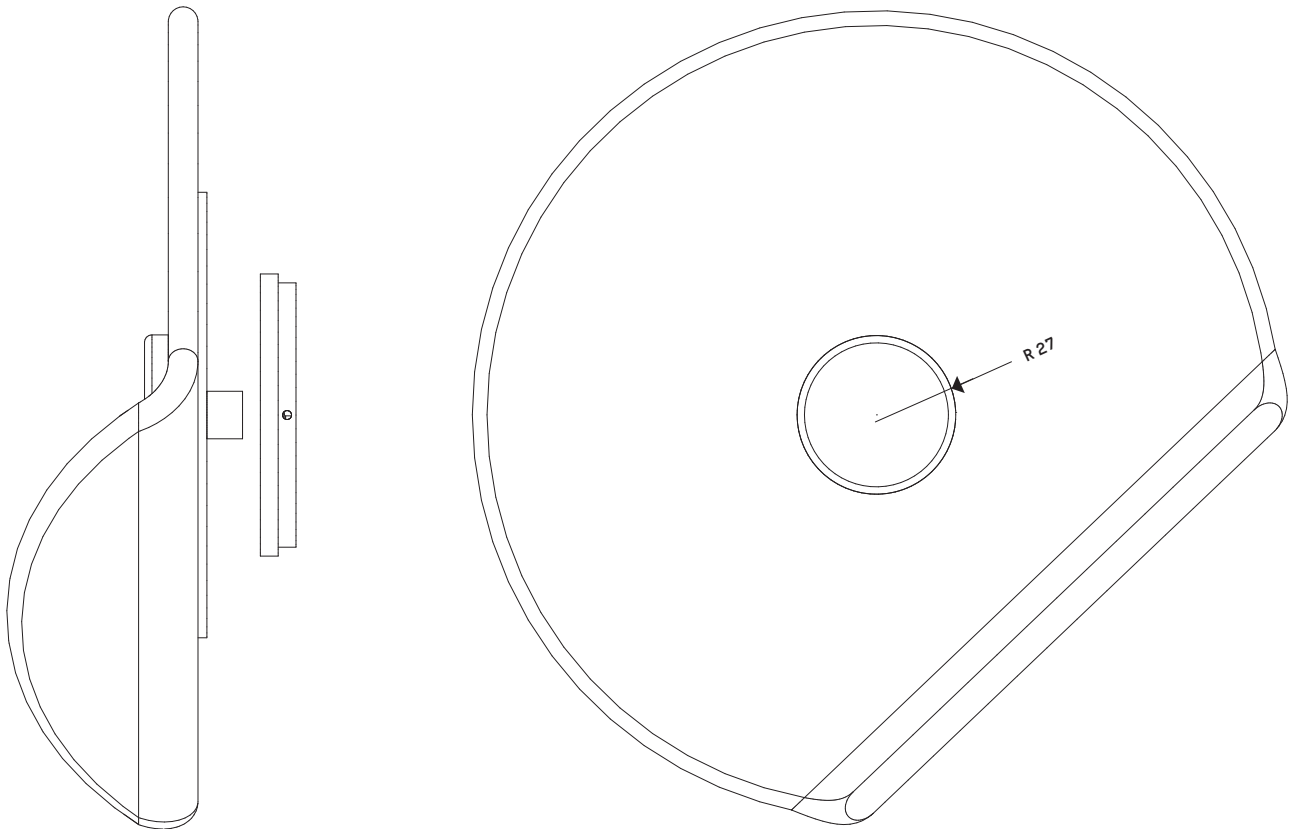
Shade
Diameter 280-320mm

Fitting finishes
Brass

Shade combinations
Smoke
Grey

Melt Collection
Wall Sconce





Channel old world glamour with this soft sculptural form resembling a gently unfurling flower.

When lit, Melt washes the surrounding walls with soft and subtle light, reflecting the unique artisanal materiality of mouthblown glass.

The organic fluidity of form makes it a quietly decorative piece with a sculptural elegance.

Lead time
8 - 10 weeks

Light source
12V, G4 2.6W LED (3000k)
Requires driver/transformer
installation
Dimmable upon request

Dimensions
Face plate
Diameter 90mm

Shade
Diameter 280-320mm

Fitting finishes
Brass

Shade combinations
Smoke
Grey