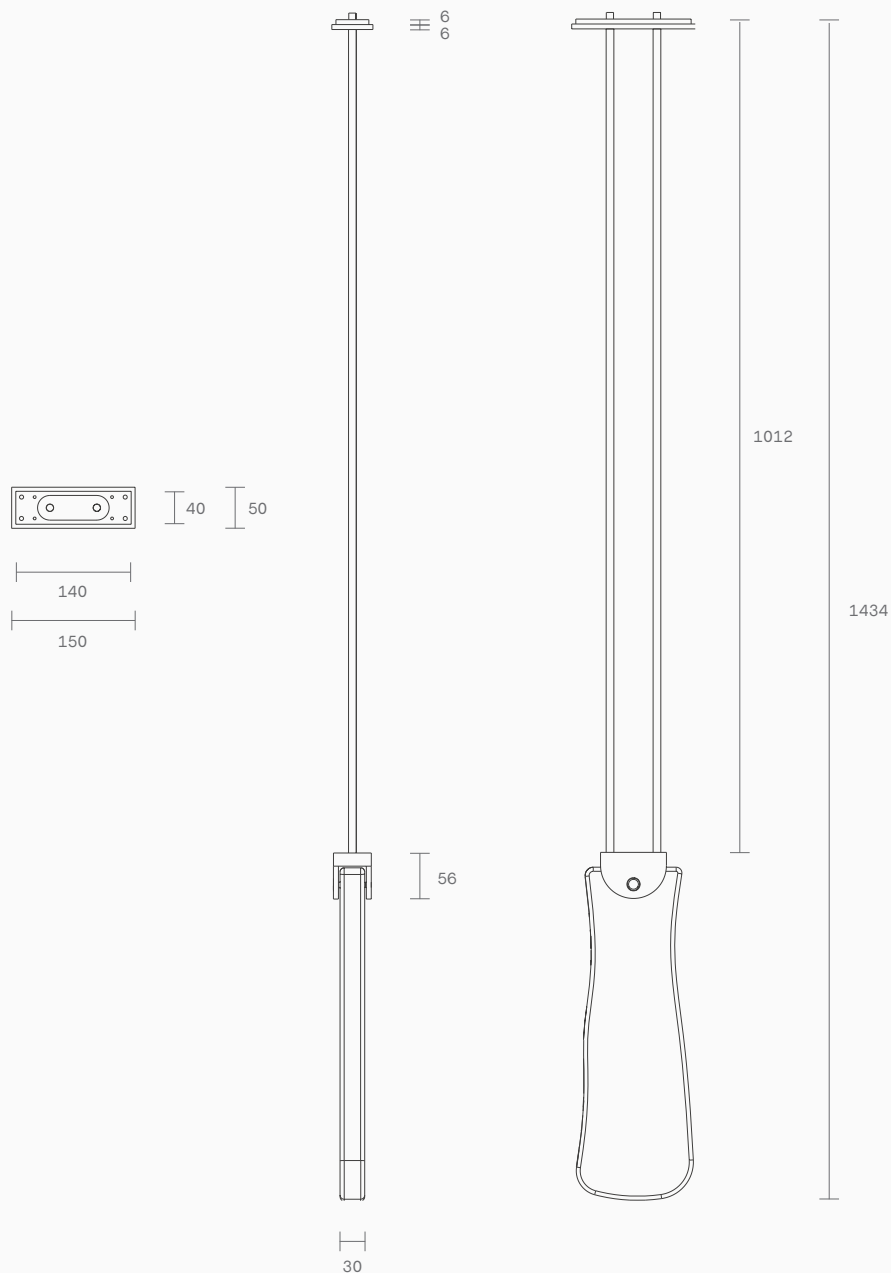


Slab Collection  
Pendant





Slab is a lighting design 12 months in the making. Exploring the artisanal quality of mouth-blown glass to dramatic effect, each sculptural piece is distinguished by its unpredictable, elongated organic form.

Available as both Pendant and Wall Sconce, the striking light has been imagined in clear glass with the addition of striking jewel tones, or in Articolo's signature 'effervescent' mouth-blown finish known as Fizi.

**Lead time**  
8 weeks

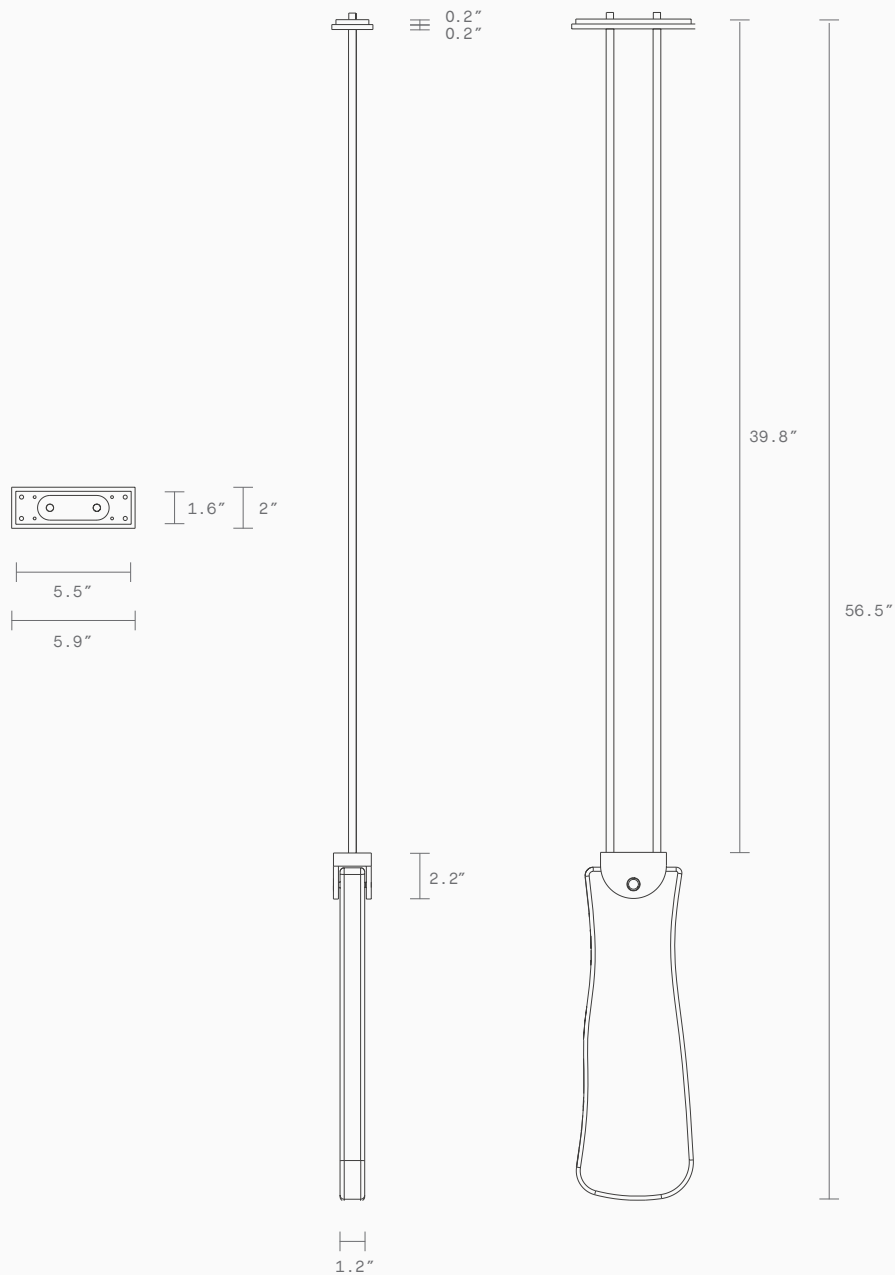
**Light source**  
24V 1.8W LED strip  
3000K  
Dimming option

**Weight**  
5.2kg

**Dimensions**  
Variations to rod length  
can be specified at time of  
order placement

**Fitting finishes**  
Brass  
Mid bronze  
Articolo black  
Matte white  
Satin nickel

**Shade combinations**  
Drunken emerald  
Grey  
Ocean  
Fizi



Slab is a lighting design 12 months in the making. Exploring the artisanal quality of mouth-blown glass to dramatic effect, each sculptural piece is distinguished by its unpredictable, elongated organic form.

Available as both Pendant and Wall Sconce, the striking light has been imagined in clear glass with the addition of striking jewel tones, or in Articolo's signature 'effervescent' mouth-blown finish known as Fizi.

**Lead time**  
8 weeks

**Light source**  
24V 1.8W LED strip  
3000K option

**Weight**  
11.5lb

**Dimensions**  
Variations to rod length  
can be specified at time of  
order placement

**Installation**  
Supplied with mounting plate  
to fit 4.0/3.5 Jbox

**Fitting finishes**  
Brass  
Mid bronze  
Articolo black  
Matte white  
Satin nickel

**Shade combinations**  
Drunken emerald  
Grey  
Ocean  
Fizi