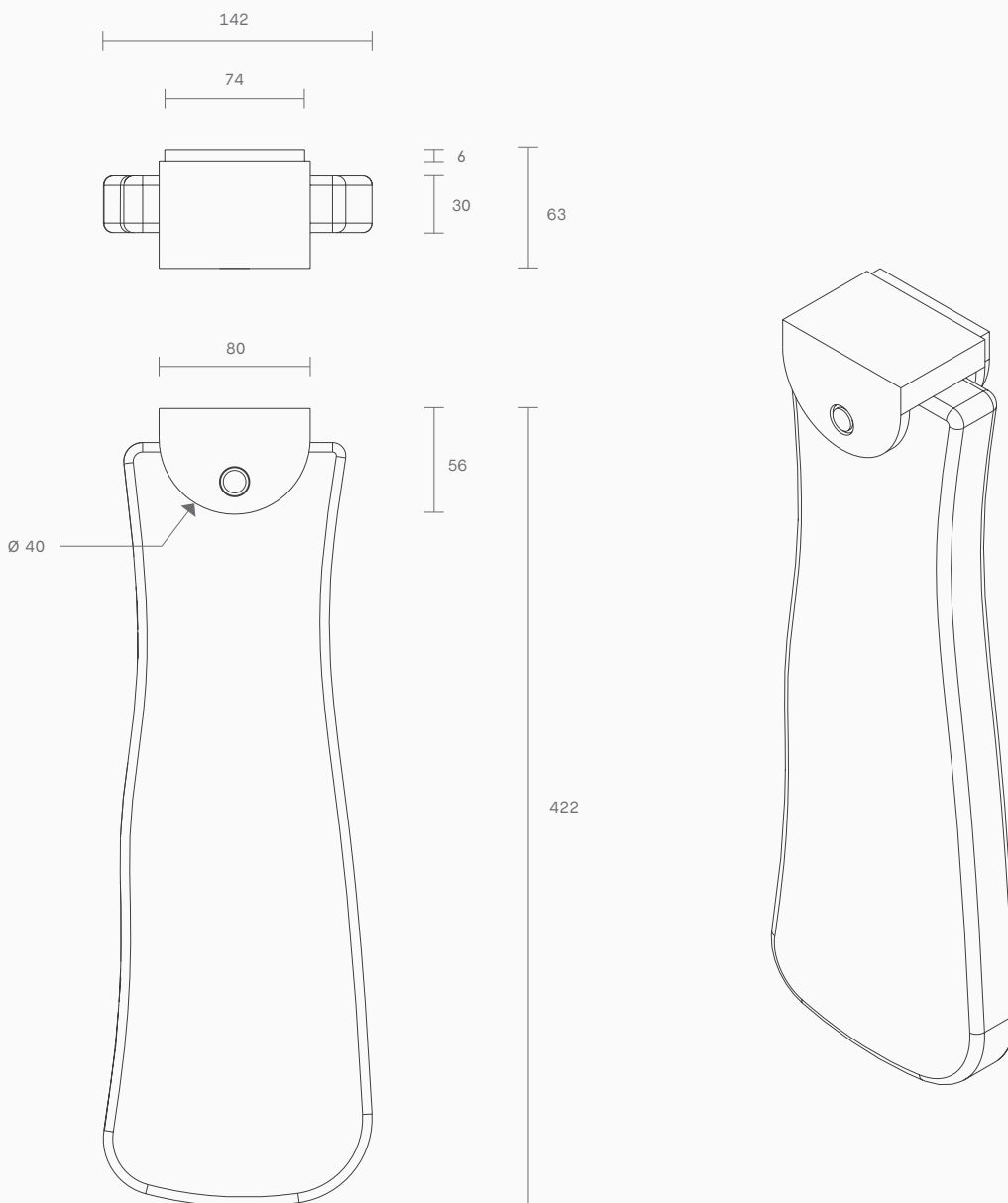


Slab Collection  
Wall Sconce





Slab is a lighting design 12 months in the making. Exploring the artisanal quality of mouth-blown glass to dramatic effect, each sculptural piece is distinguished by its unpredictable, elongated organic form.

Available as both Pendant and Wall Sconce, the striking light has been imagined in clear glass with the addition of striking jewel tones, or in Articolo's signature 'effervescent' mouth-blown finish known as Fizi.

**Lead time**

8 weeks

**Light source**

24V 1.8W LED strip

3000K

Diming option

**Weight**

5.1kg

**Fitting finishes**

Brass

Mid bronze

Articolo black

Matte white

Satin nickel

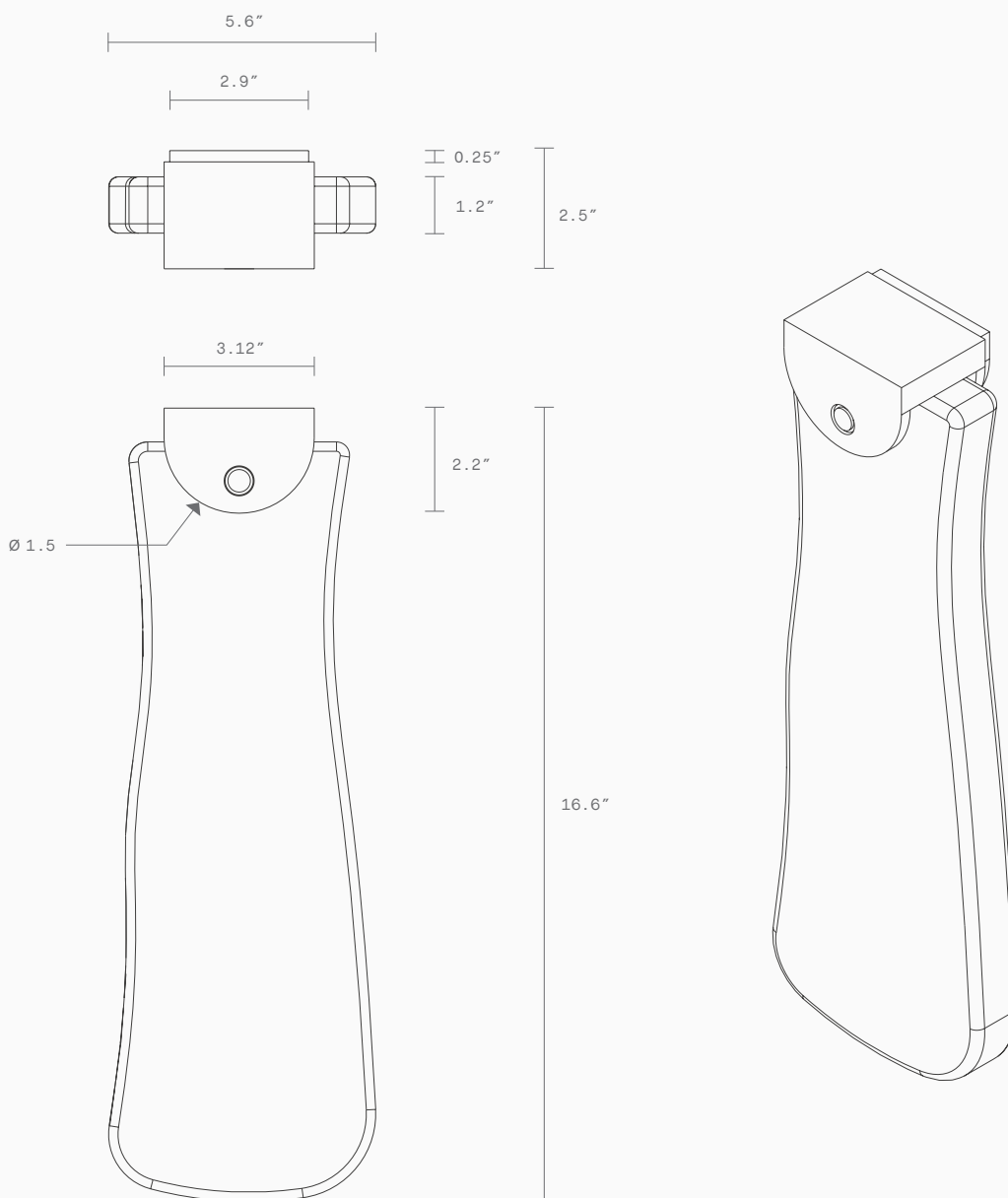
**Shade combinations**

Drunken emerald

Grey

Ocean

Fizi



Slab is a lighting design 12 months in the making. Exploring the artisanal quality of mouth-blown glass to dramatic effect, each sculptural piece is distinguished by its unpredictable, elongated organic form.

Available as both Pendant and Wall Sconce, the striking light has been imagined in clear glass with the addition of striking jewel tones, or in Articolo's signature 'effervescent' mouth-blown finish known as Fizi.

**Lead time**  
8 weeks

**Light source**  
24V 1.8W LED strip  
3000K  
Diming option

**Weight**  
11.24lb

**Installation**  
Supplied with mounting plate  
to fit 4.0/3.5 Jbox

**Fitting finishes**  
Brass  
Mid bronze  
Articolo black  
Matte white  
Satin nickel

**Shade combinations**  
Drunken emerald  
Grey  
Ocean  
Fizi