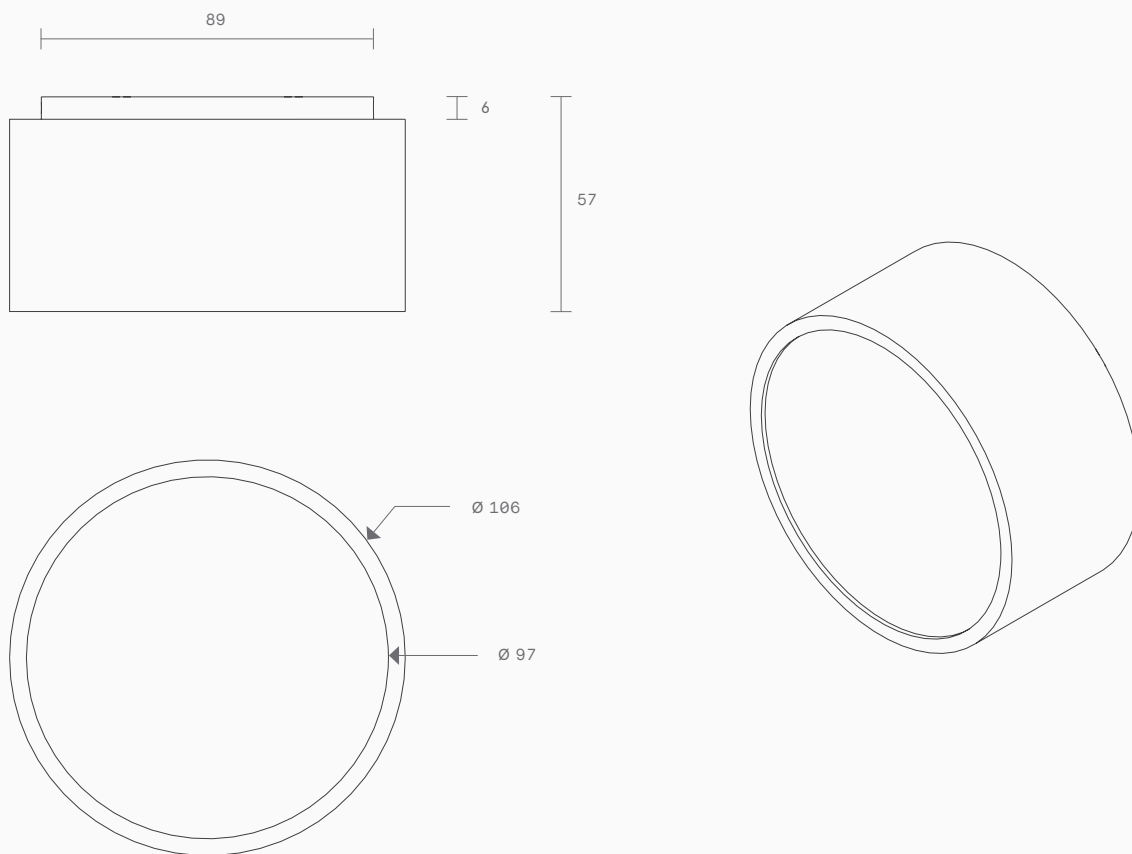


Occhi Collection  
Wall Sconce





The Occhi Wall Sconce is distinguished by its etched-glass face; a striking geometric pattern that sits boldly against the restraint of a cylindrical casing in brass, mid-bronze or black.

Occhi, Italian for eye, is hand crafted by skilled glass artisans, and is also available in Articolo's 'effervescent' mouth-blown finish known as Fizi.

**Lead time**

8 weeks

**Light source**

12V 2.6W LED disc  
3000K diming option  
Supplied with external driver

**Weight**

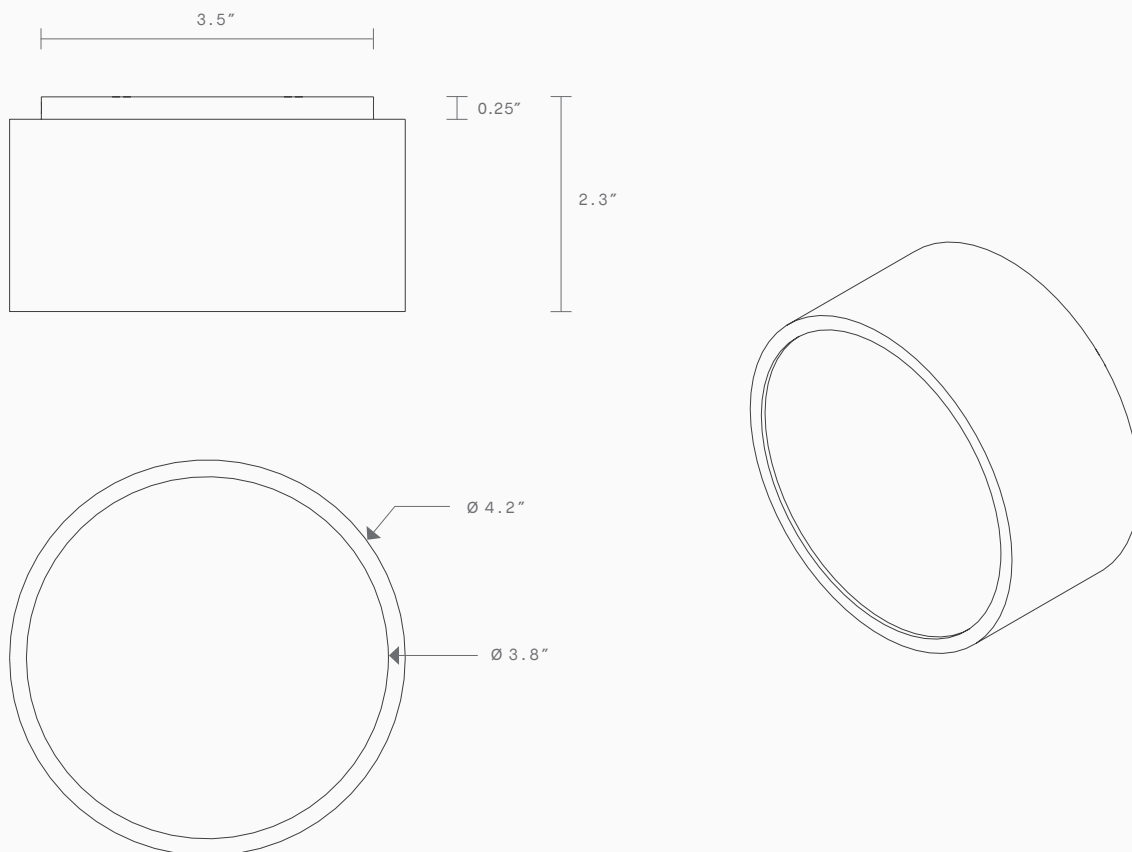
1.8kg

**Fitting finishes**

Brass  
Mid bronze  
Articolo black  
Matte white  
Satin nickel

**Shade combinations**

Black etch  
Fizi



The Occhi Wall Sconce is distinguished by its etched-glass face; a striking geometric pattern that sits boldly against the restraint of a cylindrical casing in brass, mid-bronze or black.

Occhi, Italian for eye, is hand crafted by skilled glass artisans, and is also available in Articolo's 'effervescent' mouth-blown finish known as Fizi.

**Lead time**

8 weeks

**Light source**

12V 2.6W LED disc  
3000K diming option  
Supplied with external driver

**Weight**

4lb

**Installation**

Supplied with mounting plate  
to fit 4.0/3.5 Jbox

**Fitting finishes**

Brass  
Mid bronze  
Articolo black  
Matte white  
Satin nickel

**Shade combinations**

Black etch  
Fizi