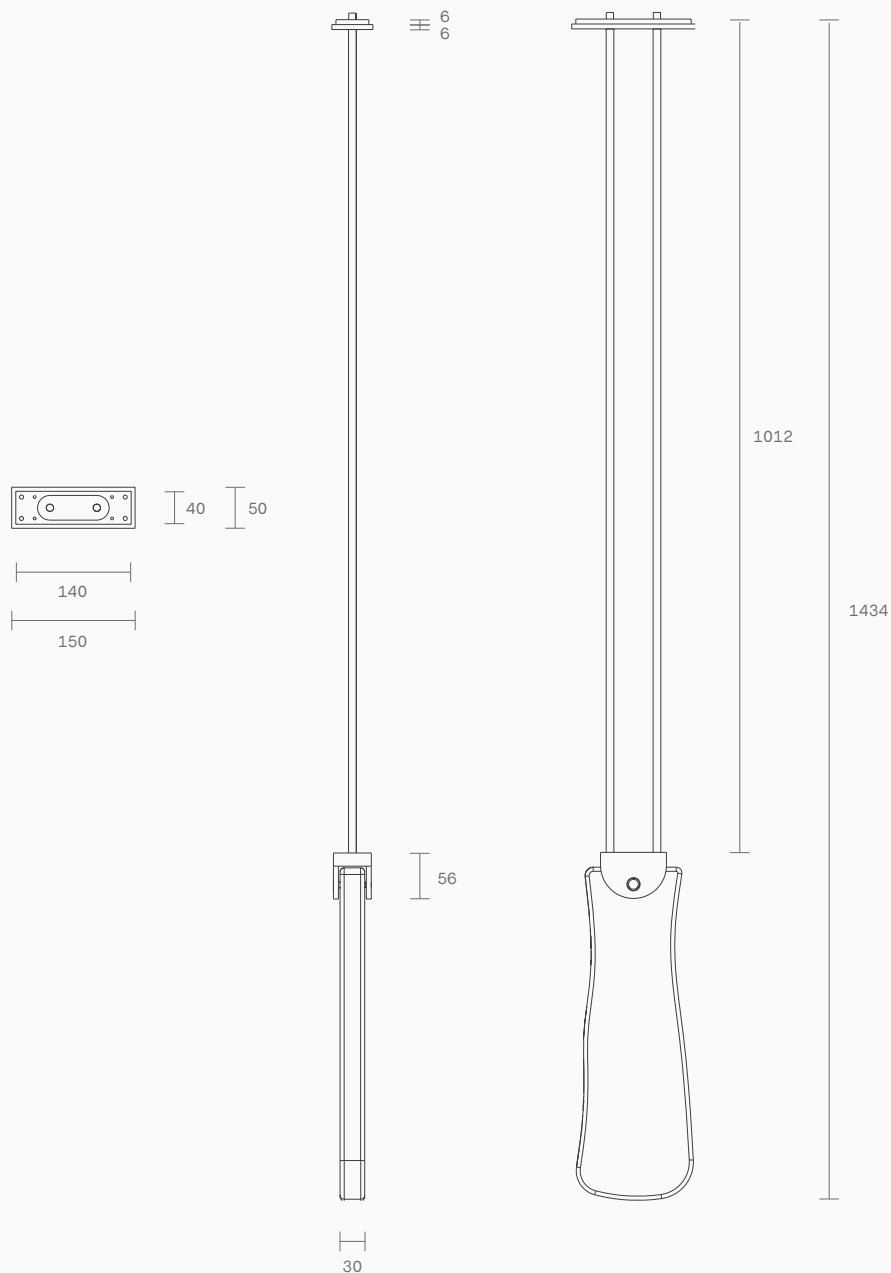


Slab Collection
Pendant





Slab is a lighting design 12 months in the making. Exploring the artisanal quality of mouth-blown glass to dramatic effect, each sculptural piece is distinguished by its unpredictable, elongated organic form.

Available as both Pendant and Wall Sconce, the striking light has been imagined in clear glass with the addition of striking jewel tones, or in Articolo's signature 'effervescent' mouth-blown finish known as Fizi.

Lead time
8 weeks

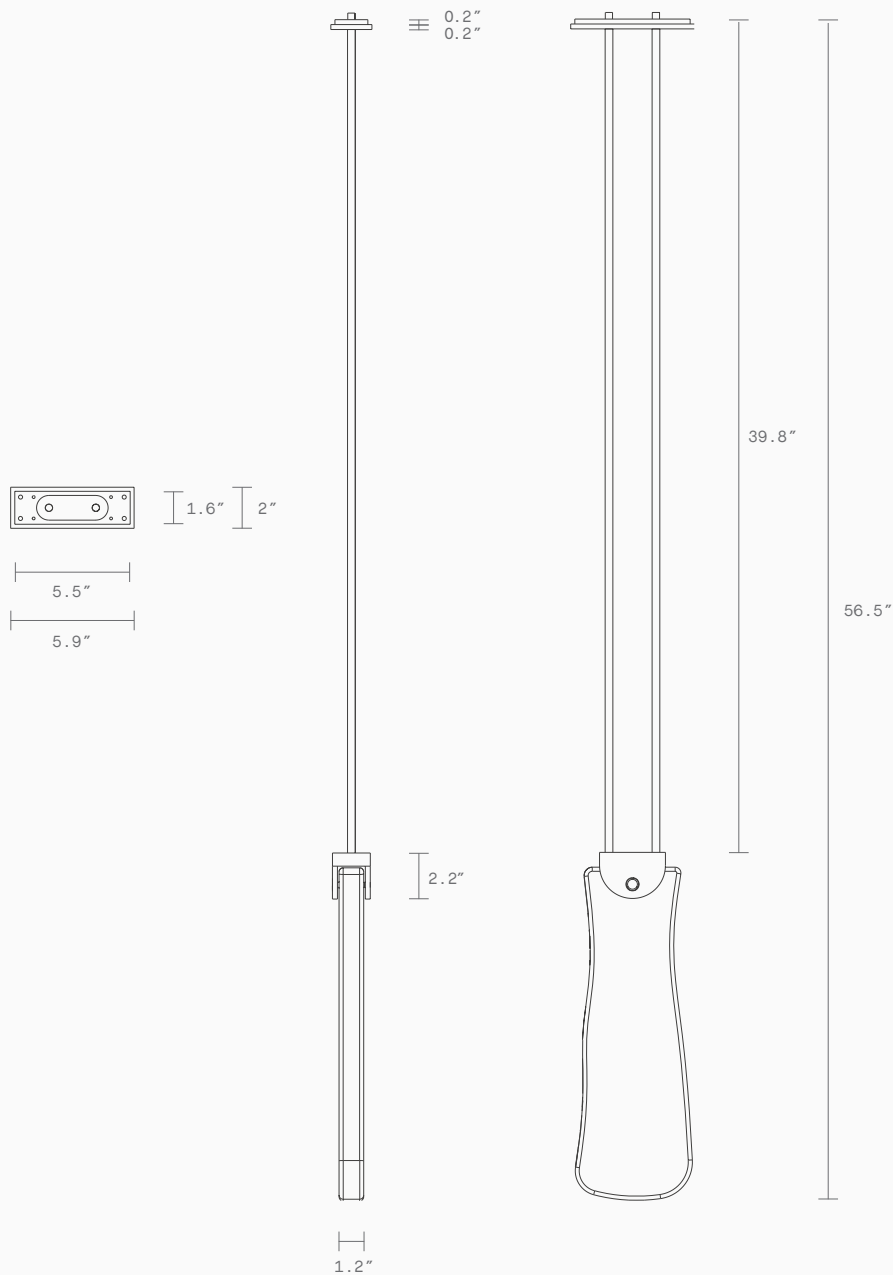
Light source
24V 1.8W LED strip
3000K
Dimming option

Weight
5.2kg

Dimensions
Variations to rod length
can be specified at time of
order placement

Fitting finishes
Brass
Mid bronze
Articolo black
Matte white
Satin nickel

Shade combinations
Drunken emerald
Grey
Ocean
Fizi



Slab is a lighting design 12 months in the making. Exploring the artisanal quality of mouth-blown glass to dramatic effect, each sculptural piece is distinguished by its unpredictable, elongated organic form.

Available as both Pendant and Wall Sconce, the striking light has been imagined in clear glass with the addition of striking jewel tones, or in Articolo's signature 'effervescent' mouth-blown finish known as Fizi.

Lead time

8 weeks

Light source

24V 1.8W LED strip
3000K
Dimming option

Weight

11.5lb

Dimensions

Variations to rod length can be specified at time of order placement

Installation

Supplied with mounting plate to fit 4.0/3.5 Jbox

Fitting finishes

Brass
Mid bronze
Articolo black
Matte white
Satin nickel

Shade combinations

Drunken emerald
Grey
Ocean
Fizi