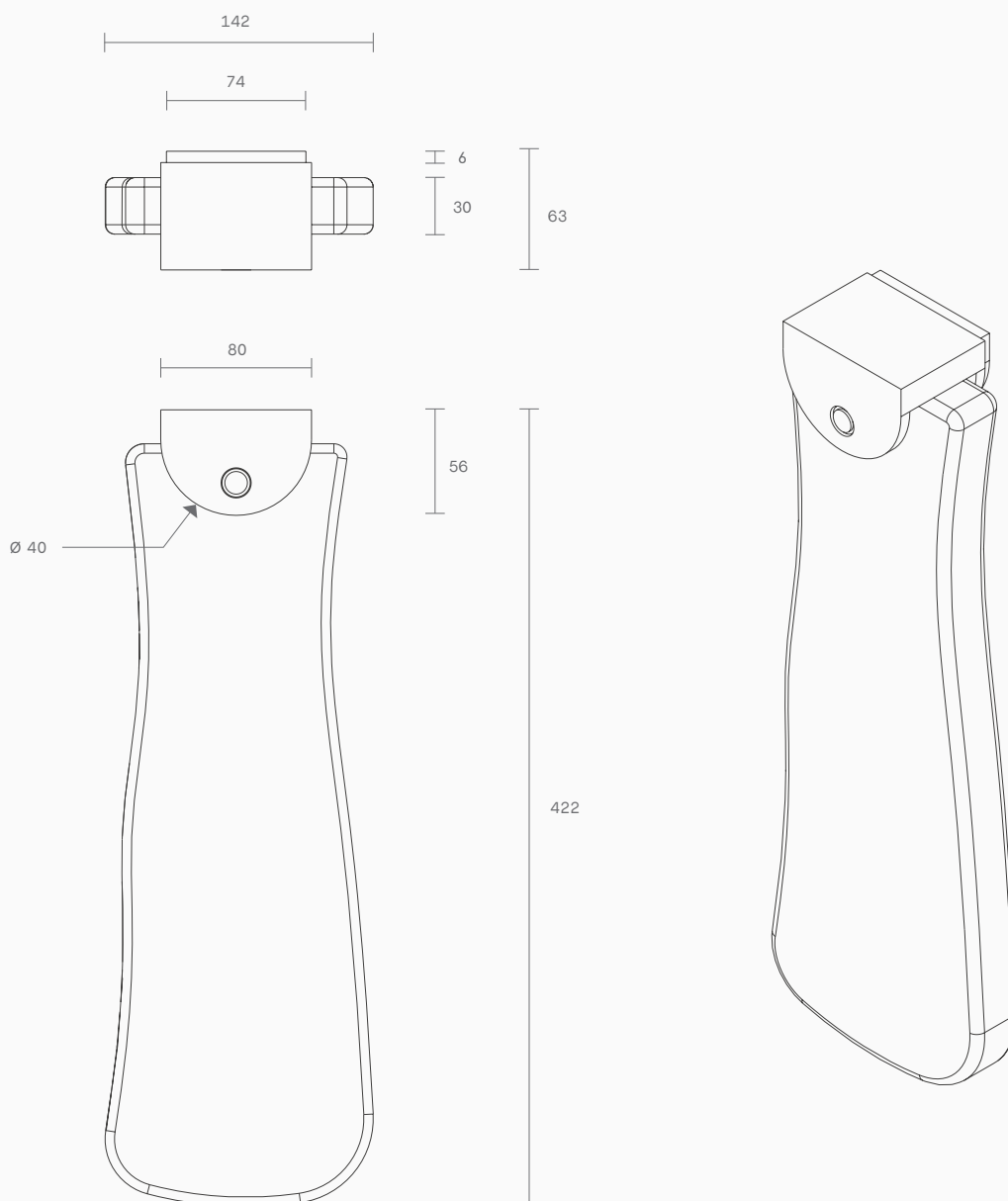


Slab Collection
Wall Sconce





Slab is a lighting design 12 months in the making. Exploring the artisanal quality of mouth-blown glass to dramatic effect, each sculptural piece is distinguished by its unpredictable, elongated organic form.

Available as both Pendant and Wall Sconce, the striking light has been imagined in clear glass with the addition of striking jewel tones, or in Articolo's signature 'effervescent' mouth-blown finish known as Fizi.

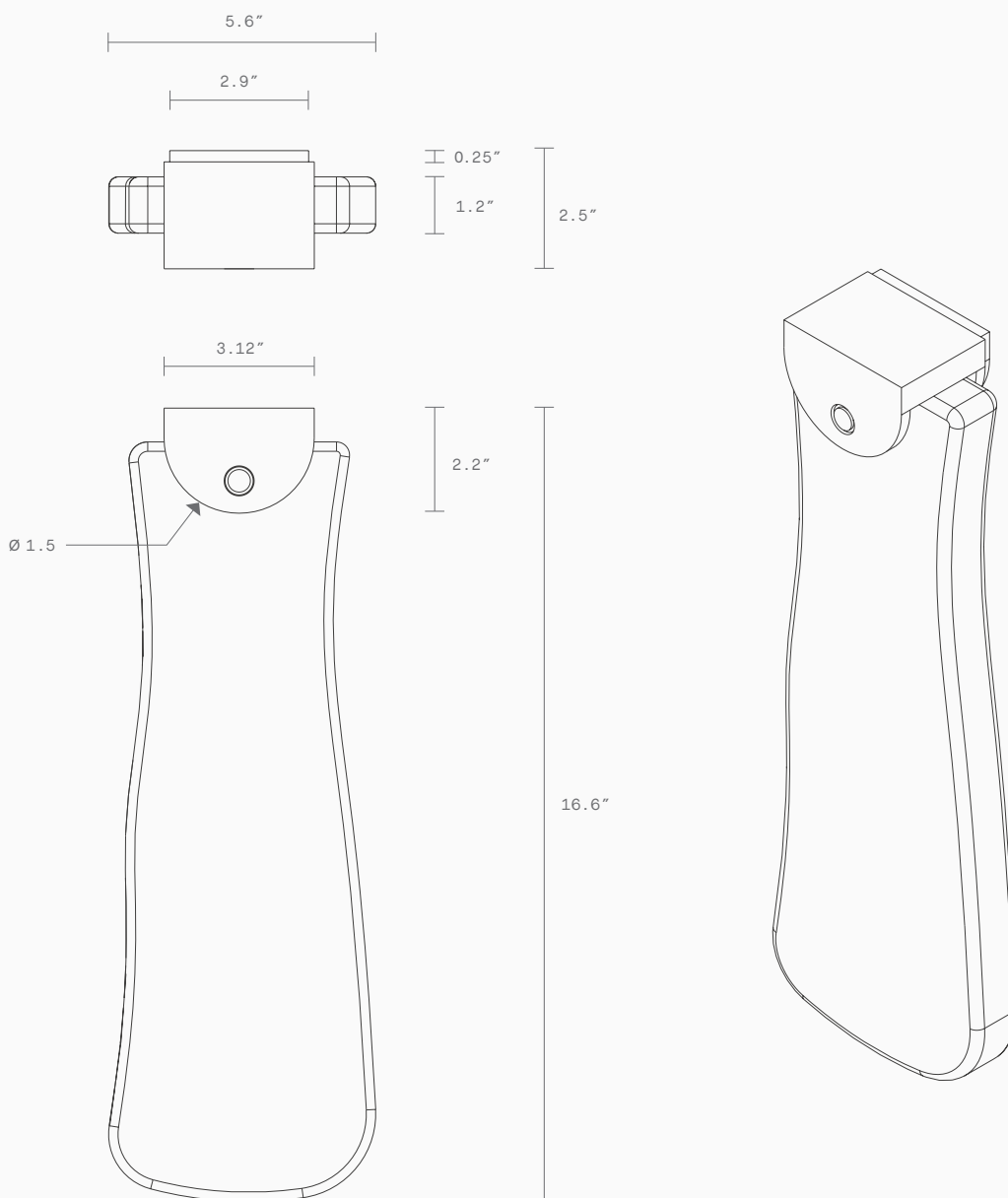
Lead time
8 weeks

Light source
24V 1.8W LED strip
3000K
Diming option

Weight
5.1kg

Fitting finishes
Brass
Mid bronze
Articolo black
Matte white
Satin nickel

Shade combinations
Drunken emerald
Grey
Ocean
Fizi



Slab is a lighting design 12 months in the making. Exploring the artisanal quality of mouth-blown glass to dramatic effect, each sculptural piece is distinguished by its unpredictable, elongated organic form.

Available as both Pendant and Wall Sconce, the striking light has been imagined in clear glass with the addition of striking jewel tones, or in Articolo's signature 'effervescent' mouth-blown finish known as Fizi.

Lead time
8 weeks

Light source
24V 1.8W LED strip
3000K
Diming option

Weight
11.24lb

Installation
Supplied with mounting plate
to fit 4.0/3.5 Jbox

Fitting finishes
Brass
Mid bronze
Articolo black
Matte white
Satin nickel

Shade combinations
Drunken emerald
Grey
Ocean
Fizi