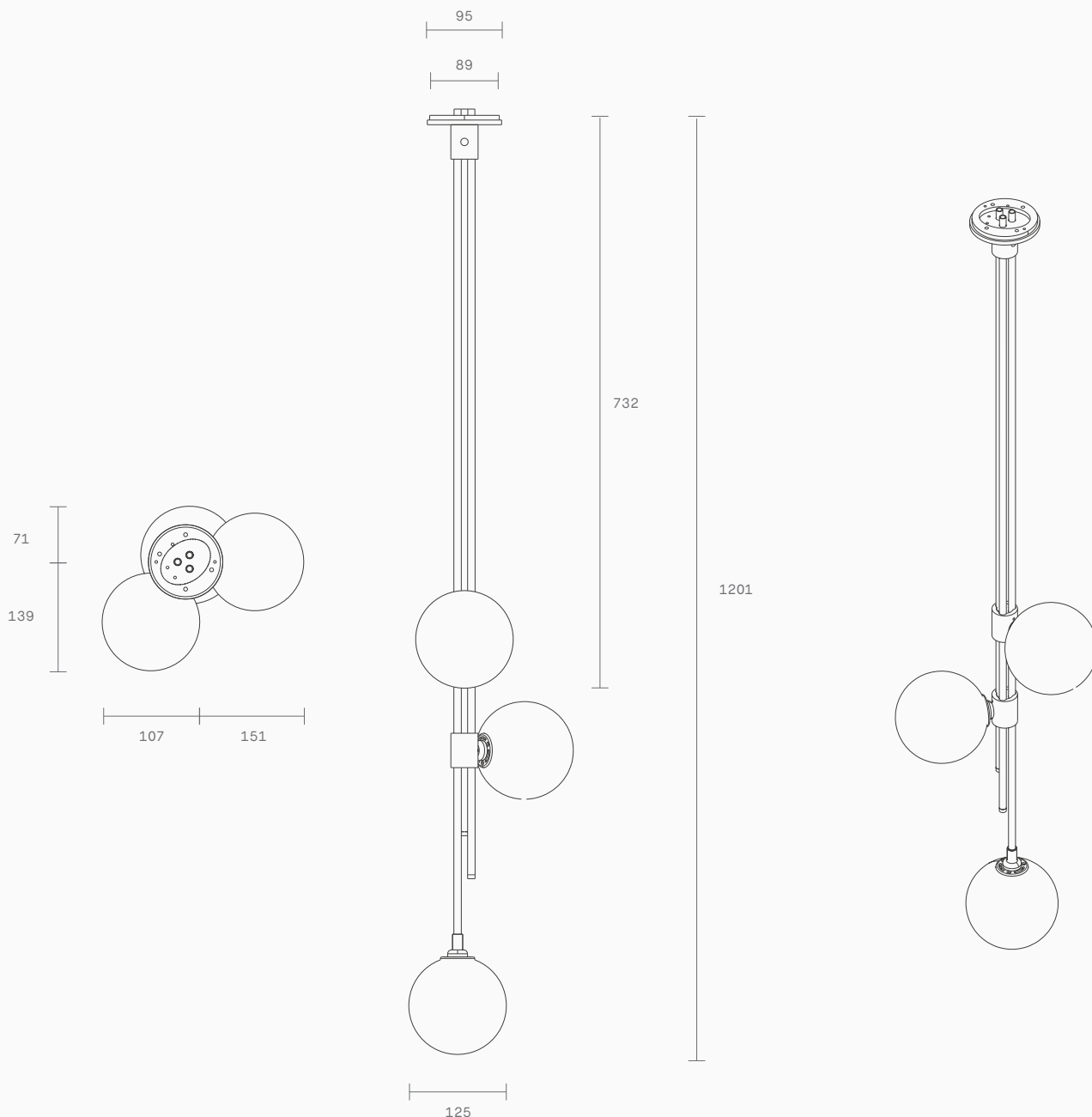


Spoti Collection
Trilogy Pendant



Spoti Collection Trilogy Pendant

Specification Sheet Australia/International



Individual in form and materiality, the Spoti Ball wall sconce is a playful, innovative and graceful at once. Carefully brought to life by artisan hands, the attention to detail in the craftsmanship of Spoti makes each light an enduring work of art.

The elegant orbs are made from mouthblown glass with either black or white spots that throw intriguing ocelot patterns across a wall when the Spoti ball is lit.

Spoti ball is removable for easy cleaning.

Lead time
8 weeks

Light source
3 x 12 V G4 2W LED bipins
2700K dimmable
280 lumens
Supplied with external driver

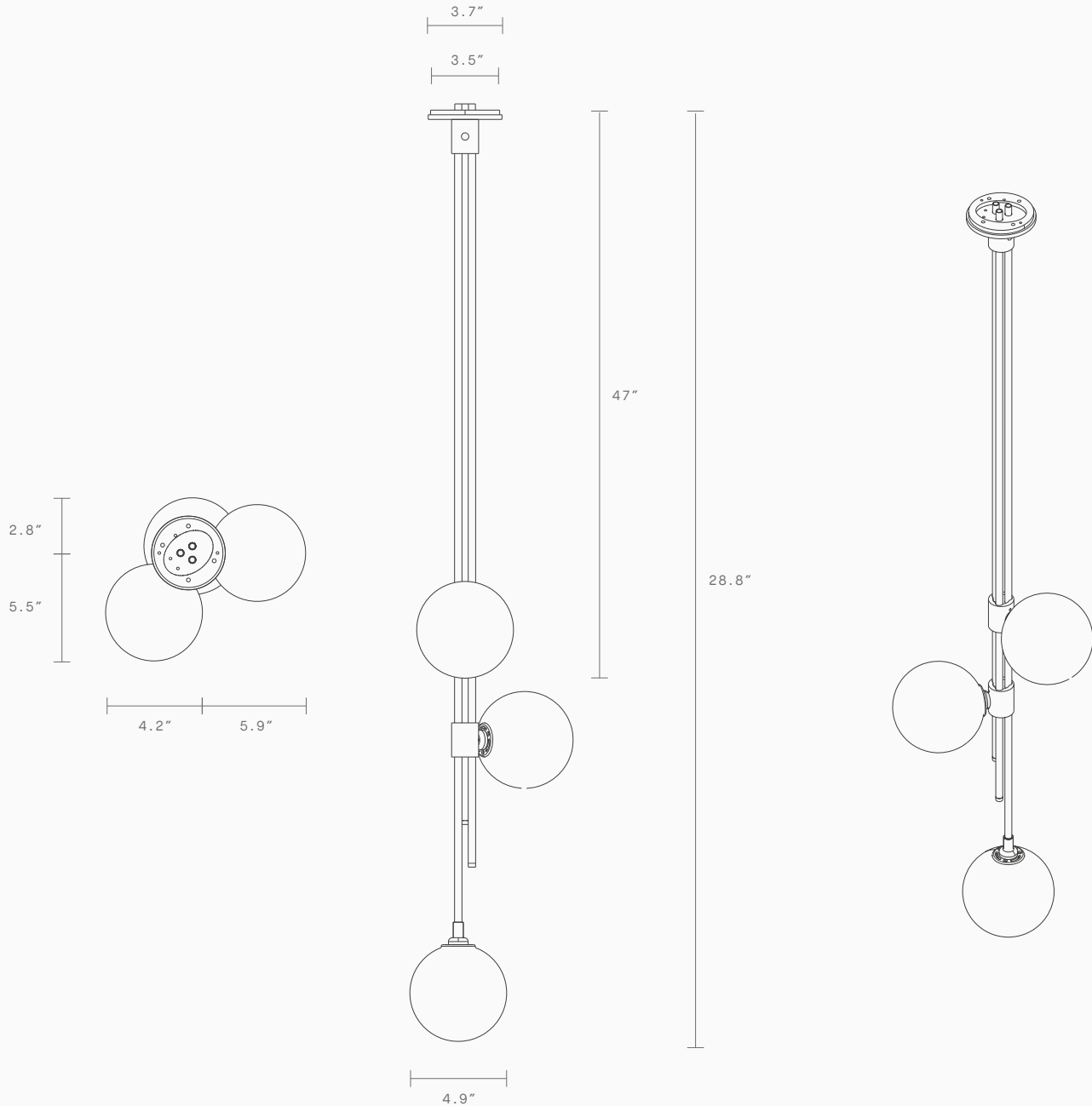
Weight
5kg

Fitting finishes
Brass
Mid bronze
Articolo black
Matte white
Satin nickel

Shade combinations
White
Black

Spoti Collection Trilogy Pendant

UL Specification Sheet United States



Individual in form and materiality, the Spoti Ball wall sconce is a playful, innovative and graceful at once. Carefully brought to life by artisan hands, the attention to detail in the craftsmanship of Spoti makes each light an enduring work of art.

The elegant orbs are made from mouthblown glass with either black or white spots that throw intriguing ocelot patterns across a wall when the Spoti ball is lit.

Spoti ball is removable for easy cleaning.

Lead time
8 weeks

Light source
3 x 12 V G4 2W LED bipins
2700K dimmable
280 lumens
Supplied with external driver

Weight
11lb

Installation
Supplied with mounting plate
to fit 4.0/3.5 Jbox

Fitting finishes
Brass
Mid bronze
Articolo black
Matte white
Satin nickel

Shade combinations
White
Black