

DUO COLLECTION
WALL SCONCE WITH KICK

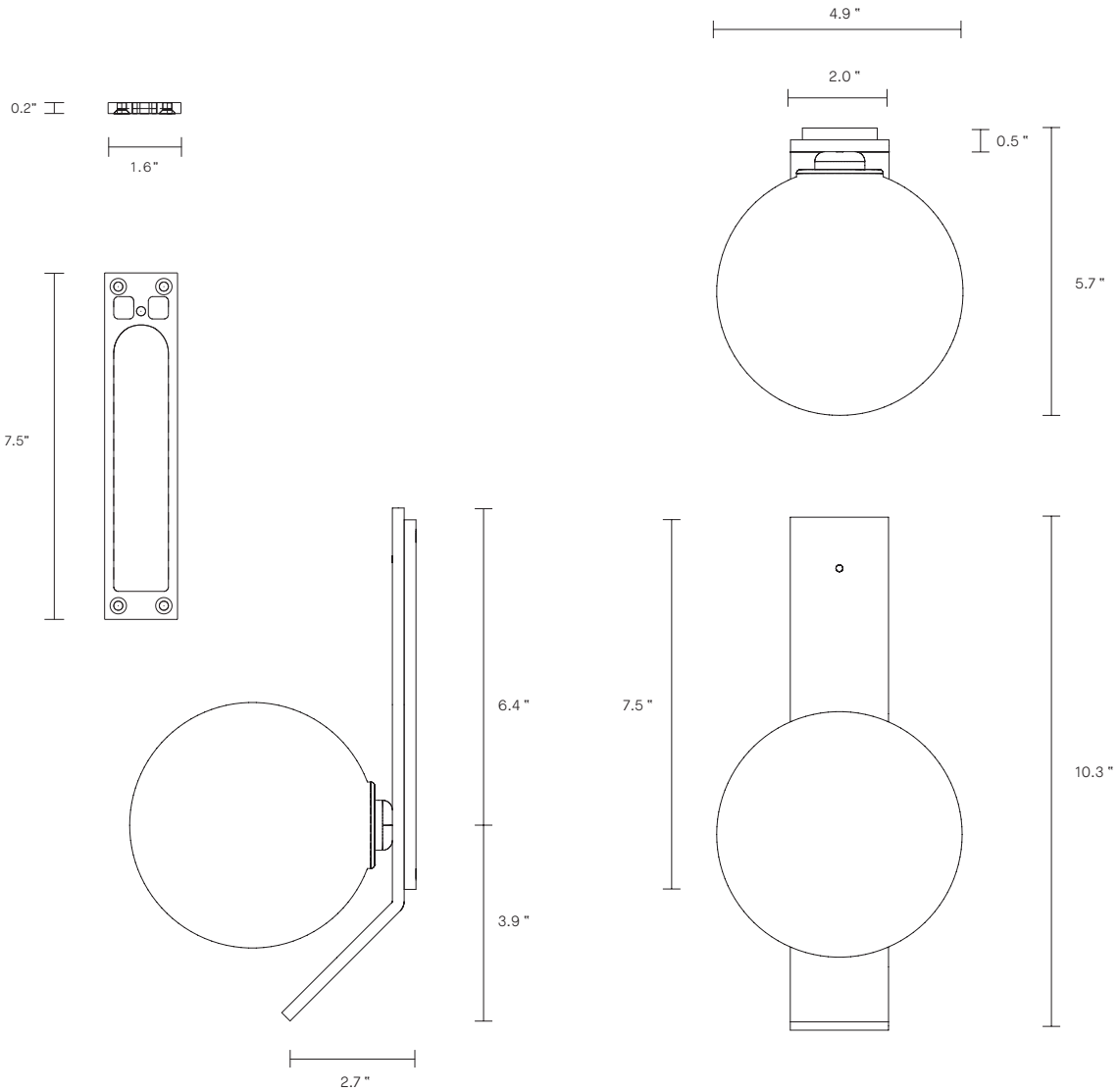
UL SPECIFICATION SHEET
NORTH AMERICA



ARTICOLO

DUO COLLECTION
WALL SCONCE WITH KICK

UL SPECIFICATION SHEET
NORTH AMERICA



DU_WSK_S_L_18V4

ABOUT DUO

The Duo's simple yet elegant shape draws the eye to its unique materiality, demonstrating the fluidity of form in mouth-blown glass through a compelling design.

Duo's understated and restrained refinement responds admirably to a range of materials palettes suitable for both residential and commercial interiors. Established by the exploration of tone found in mouth blown glass Duo has been redefined in Articolo's signature drunken emerald, available in both Wall Sconce and Pendant.

LEAD TIME

8 - 10 weeks

LIGHT SOURCE

12V, G4 2W LED (2700k)
280 lumens

Supplied with external driver
(Hatch RS12-15M-LED
2.25x1.25x0.75)

Dimmable (Luxtron/Diva/CL)

INSTALLATION

Supplied with mounting plate to fit 4.0/3.5 Jbox

Escutcheons may be ordered to conceal Jbox openings where needed

WEIGHT

4lb

FITTING DESIGN

Kick (cover)
Round
Flat

FITTING FINISH

Articolo Black (cover)
Matte White
Brass
Mid Bronze

SHADE COMBINATION

Grey and Clear (cover)
Smoke and Clear