

ECLIPSE COLLECTION  
SHORT WALL SCONCE

UL SPECIFICATION SHEET  
NORTH AMERICA



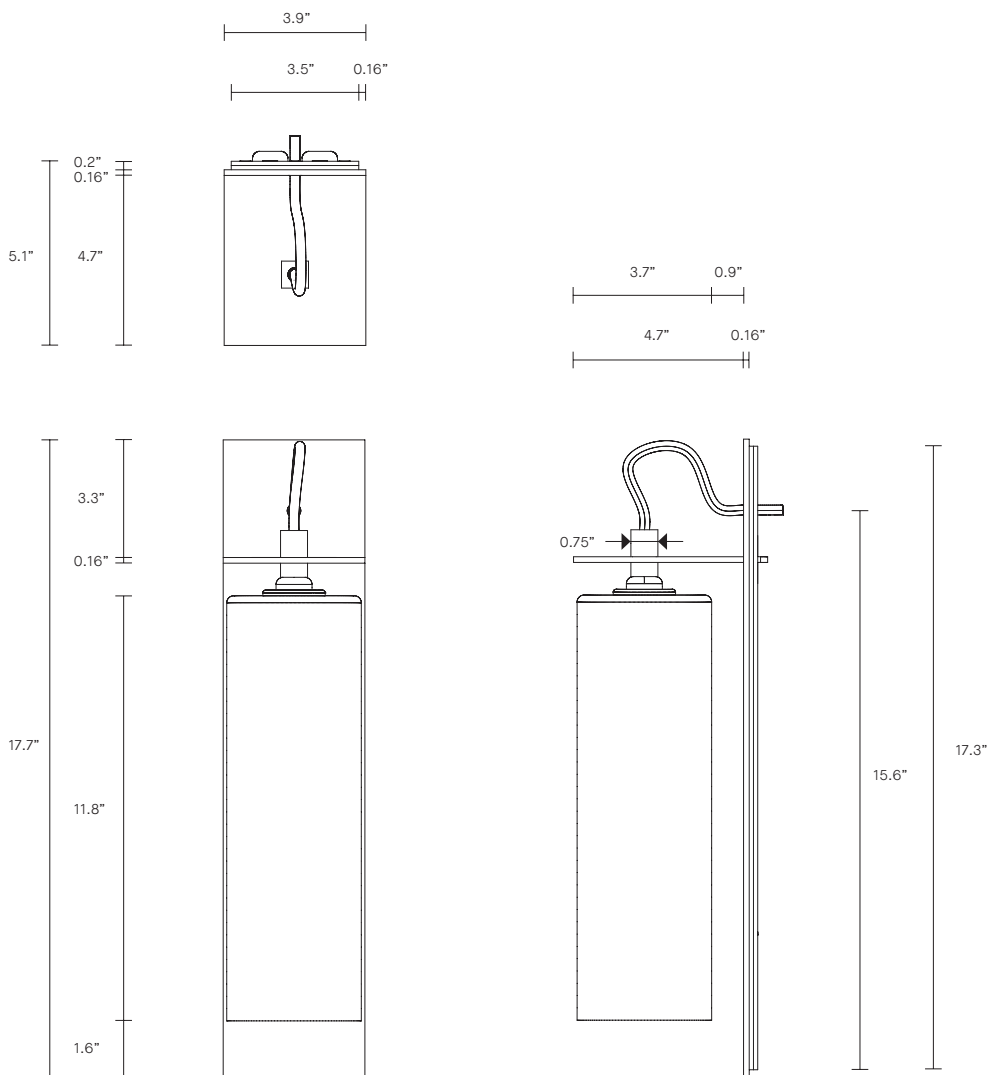
ARTICOLO

# ECLIPSE COLLECTION

## SHORT WALL SCONCE

# UL SPECIFICATION SHEET

NORTH AMERICA



EC\_SWS\_UL\_20V2

### ABOUT ECLIPSE

Handsome and sophisticated, the Eclipse collection subtly explores the beauty of mouthblown glass. Through its understated form, the elongated shape of the Eclipse draws the eye to the textural contrast of the acid etch detailing on the mouthblown glass.

Thoughtful in form, the cylindrical glass shape of the Eclipse evokes a modern aesthetic that is further defined in the autumnal colour palette of shades such as smoke, grey and white.

The Eclipse shade is removable for easy cleaning.

### LEAD TIME

8 - 10 weeks

### LIGHT SOURCE

120V E12 4W LED filament  
2700K warm white  
350 lumens  
Dimmable  
Globe included

### WEIGHT

11 lb

### CERTIFICATION

US/ETL/CA

### WARRANTY

3 years

### FITTING FINISHES

Brass (shown)  
Mid Bronze  
Articolo Black  
Matte White  
Brass Shelf

### SHADE COMBINATIONS

Clear (shown)  
Smoke  
Clear and White

### FLEX CORD COLOURS

Black  
White  
Ivory (shown)