

ECLIPSE COLLECTION  
SHORT WALL SCONCE

UL SPECIFICATION SHEET  
NORTH AMERICA



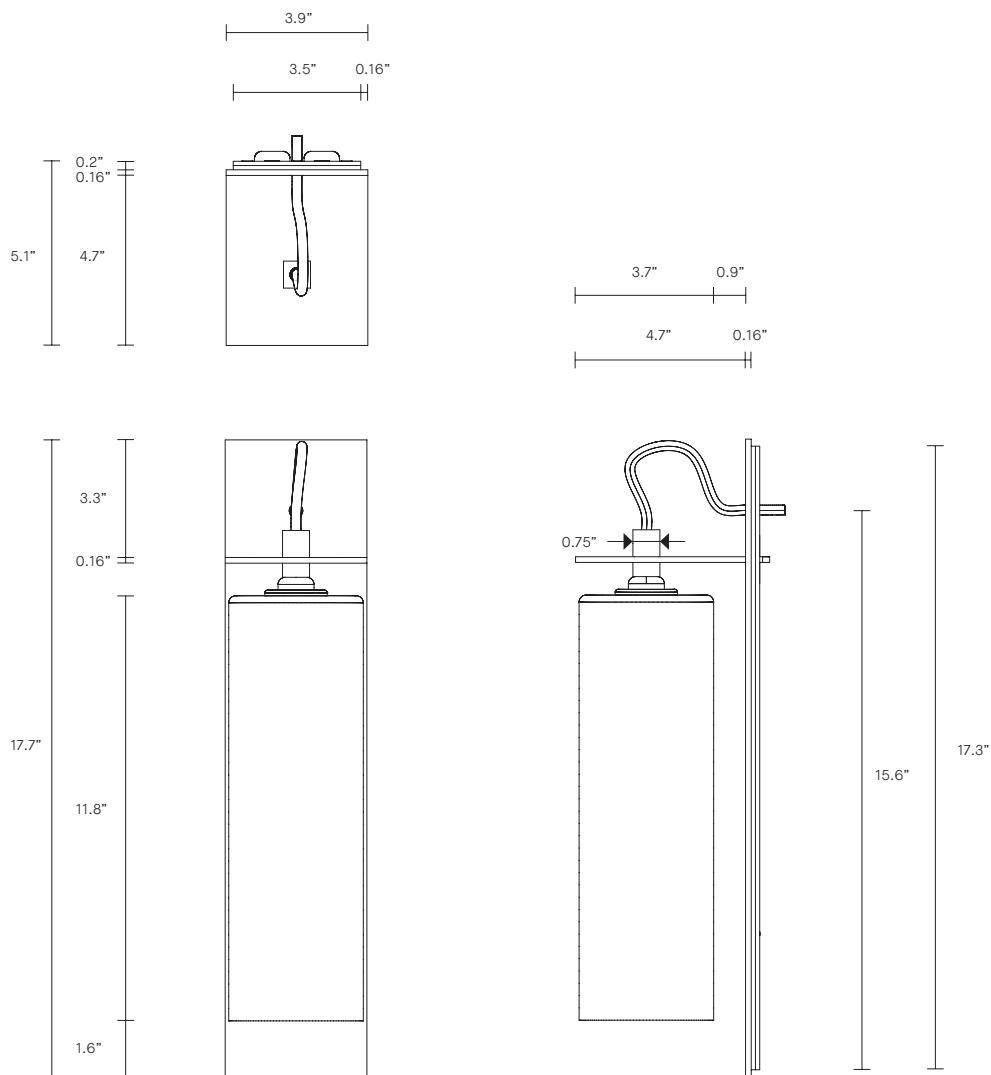
ARTICOLO

# ECLIPSE COLLECTION

## SHORT WALL SCONCE

# UL SPECIFICATION SHEET

NORTH AMERICA



EC\_SWS\_UL\_20V2

### ABOUT ECLIPSE

Handsome and sophisticated, the Eclipse collection subtly explores the beauty of mouthblown glass. Through its understated form, the elongated shape of the Eclipse draws the eye to the textural contrast of the acid etch detailing on the mouthblown glass.

Thoughtful in form, the cylindrical glass shape of the Eclipse evokes a modern aesthetic that is further defined in the autumnal colour palette of shades such as smoke, grey and white.

The Eclipse shade is removable for easy cleaning.

### LEAD TIME

8 - 10 weeks

### LIGHT SOURCE

120V E12 4W LED filament

2700K warm white

350 lumens

Dimmable

Globe included

### WEIGHT

11 lb

### CERTIFICATION

US/ETL/CA

### WARRANTY

3 years

### FITTING FINISHES

Brass

Mid Bronze

Articolo Black

Matte White

Brass Shelf (shown)

### SHADE COMBINATIONS

Clear

Smoke

Clear and White (shown)

### FLEX CORD COLOURS

Black

White (shown)

Ivory