

FLOAT COLLECTION  
PENDANT

UL SPECIFICATION SHEET  
NORTH AMERICA



ARTICOLO

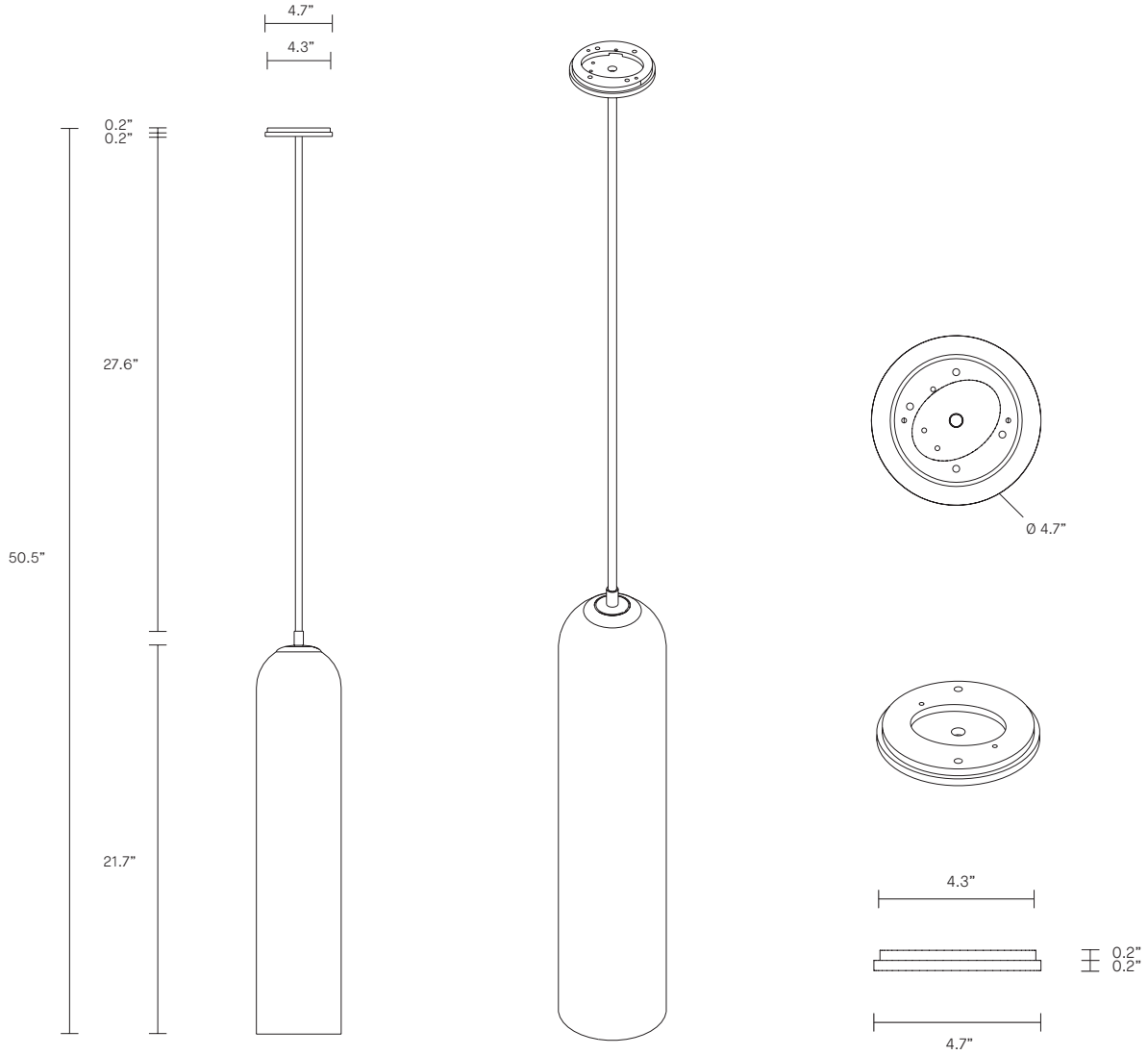
# FLOAT COLLECTION

## PENDANT

# UL SPECIFICATION SHEET

## NORTH AMERICA

FL\_P\_S\_UL\_20V1



### ABOUT FLOAT

Float is a collection of refined lighting informed by glamorous design cues of a bygone era and defined by its soaring cylindrical form.

The collection continues Articolo's exploration of the richly storied nature of artisanship. Each mouth-blown piece is tirelessly perfected and uniquely individual. Born as an acclaimed Wall Sconce, today Float is also available as a Pendant and Table Lamp in multiple iterations.

### LEAD TIME

8 - 10 weeks

### LIGHT SOURCE

110V 6W LED GU10  
3000K warm white  
500 lumens  
Dimmable  
Globe included

### WEIGHT

9.5 lb

### INSTALLATION

Supplied with mounting plate to fit 4.0/3.5 Jbox

### CUSTOMISATION

Variations to rod length can be specified at time of order placement

### FITTING FINISHES

Brass (shown)  
Mid Bronze  
Articolo Black  
Matte White  
Electroplate Black  
Satin Nickel

### SHADE COLOURS

Snow  
Drunken Emerald (shown)  
Smoke  
Grey  
Clear

### CERTIFICATION

US/ETL/CA

### WARRANTY

3 years