

INDI COLLECTION
EXTRA LARGE PENDANT

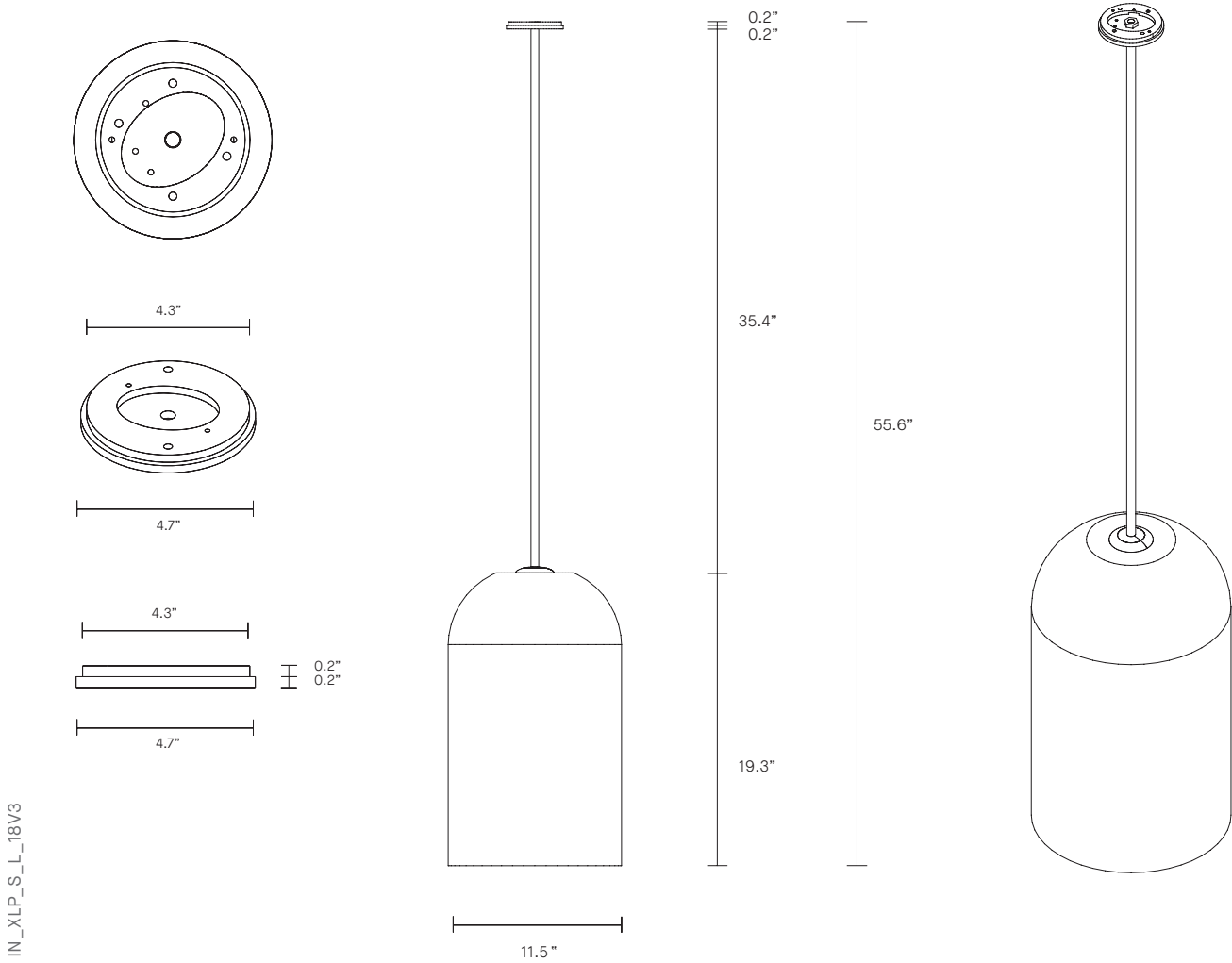
UL SPECIFICATION SHEET
NORTH AMERICA



ARTICOLO

INDI COLLECTION
EXTRA LARGE PENDANT

UL SPECIFICATION SHEET
NORTH AMERICA



IN_XLP_S_L_18V3

ABOUT INDI

A relaxed yet striking design, the handcrafted Indi collection embodies the beauty of black with pared back simplicity

Honest materials unite with detailed craftsmanship, each Indi shade is individually woven by skilled artisan hands.

Indi shade is removable for easy cleaning.

Indi available in wall sconce, pendant, table lamp, floor lamp.

LEAD TIME

8 - 10 weeks

LIGHT SOURCE

110V E12 (60W) 3.7"

Dimmable

INSTALLATION

Supplied with mounting plate to fit 4.0/3.5 Jbox

WEIGHT

21lb

FITTING FINISHES

Mid Bronze (cover)

Matte White

Brass

Articolo Black

Satin Nickel

SHADE COMBINATIONS

Clear glass shade with

Black (cover)

Natural

Teal