

INDI COLLECTION

PENDANT

UL SPECIFICATION SHEET

NORTH AMERICA



ARTICOLO

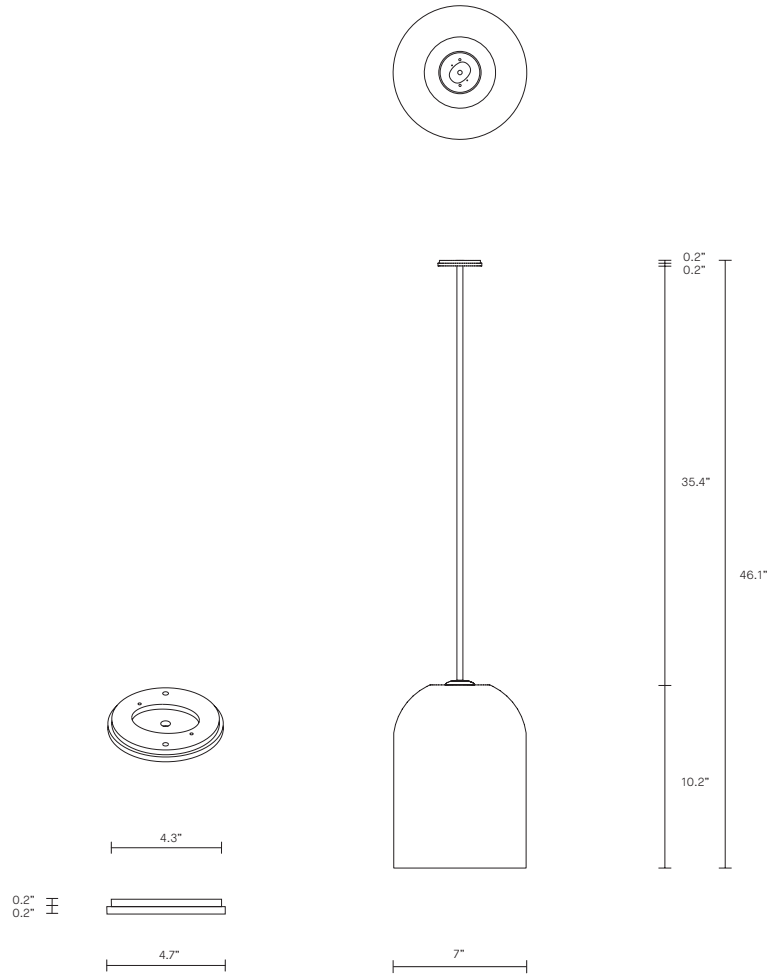
INDI COLLECTION

PENDANT

UL SPECIFICATION SHEET

NORTH AMERICA

IN_LP_S_L_18V3



ABOUT INDI

A relaxed yet striking design, the handcrafted Indi collection embodies the beauty of black with pared back simplicity.

Honest materials unite with detailed craftsmanship, each Indi shade is individually woven by skilled artisan hands.

Indi shade is removable for easy cleaning.

Indi available in wall sconce, pendant, table lamp and floor lamp.

LEAD TIME

8 - 10 weeks

LIGHT SOURCE

110V E12 6W LED
2700K warm white
600 lumens
Dimmable
Globe included

INSTALLATION

Supplied with mounting plate to fit 4.0/3.5 Jbox

CUSTOMISATION

Variations to rod length can be specified at time of order placement

WEIGHT

21lb

FITTING FINISHES

Brass
Mid Bronze (shown)
Articolo Black
Matte White
Electroplate Black
Satin Nickel

SHADE COLOURS

Clear (shown)

WEAVE COLOURS

Black
Natural
Black and Natural (shown)
Sand

CERTIFICATION

US/ETL/CA

WARRANTY

3 years