

INDI COLLECTION

PENDANT

UL SPECIFICATION SHEET

NORTH AMERICA



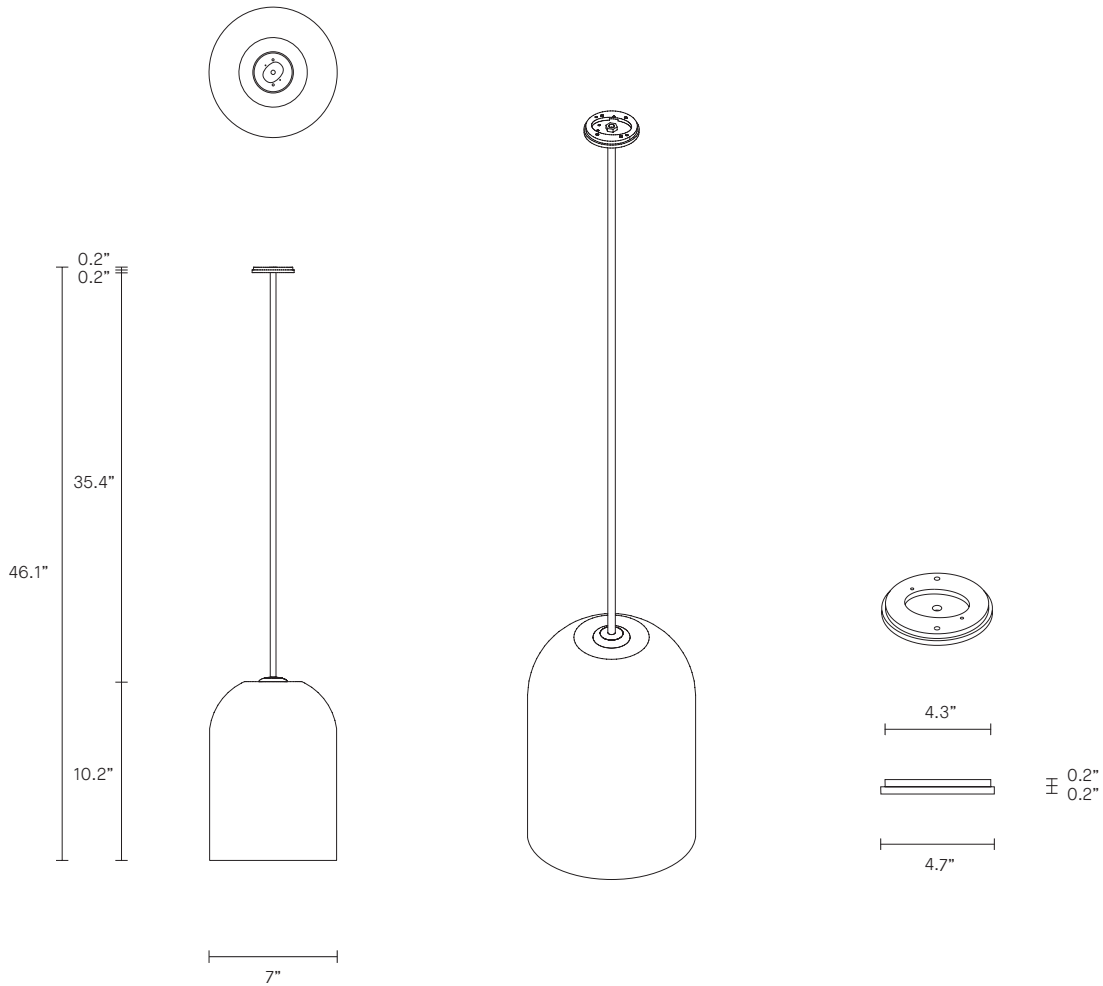
ARTICOLO

# INDI COLLECTION

## PENDANT

# UL SPECIFICATION SHEET

NORTH AMERICA



IN\_P\_UL\_20V1

### ABOUT INDI

A relaxed yet striking design, the handcrafted Indi collection embodies the beauty of black with pared back simplicity.

Honest materials unite with detailed craftsmanship, each Indi shade is individually woven by skilled artisan hands.

Indi shade is removable for easy cleaning.

Indi available in wall sconce, pendant, table lamp and floor lamp.

### LEAD TIME

8 - 10 weeks

### LIGHT SOURCE

120V E12 LED Filament 4W  
2700K warm white  
350 lumens  
Dimmable  
Globe included

### INSTALLATION

Supplied with mounting plate to fit 4.0/3.5 Jbox

### CUSTOMISATION

Variations to rod length can be specified at time of order placement

### WEIGHT

21 lb

### FITTING FINISHES

Brass  
Mid Bronze (shown)  
Articolo Black  
Matte White  
Electroplate Black  
Satin Nickel

### SHADE COLOURS

Clear (shown)

### WEAVE COLOURS

Black  
Natural  
Black and Natural (shown)  
Sand

### CERTIFICATION

US/ETL/CA

### WARRANTY

3 years