

INDI COLLECTION
PENDANT

UL SPECIFICATION SHEET
NORTH AMERICA



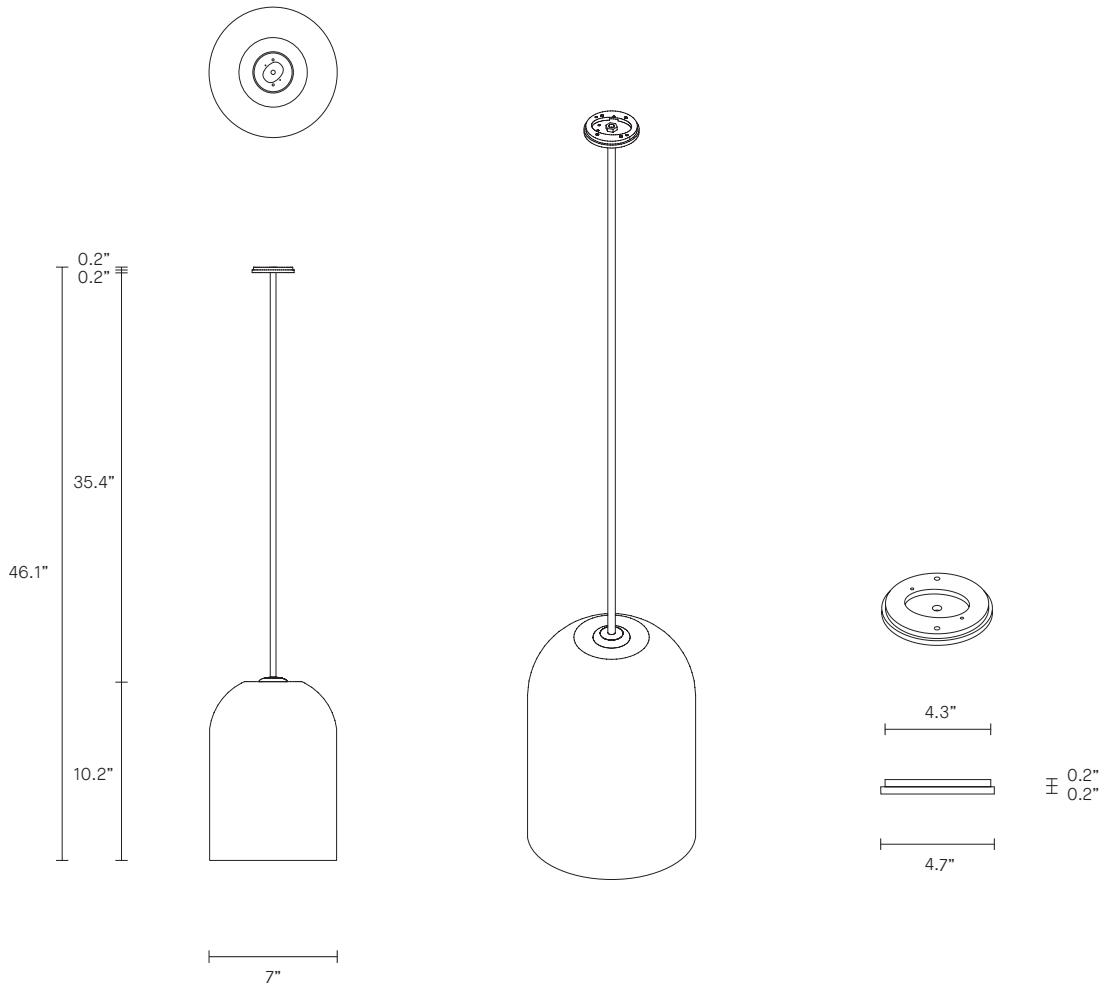
ARTICOLO

INDI COLLECTION

PENDANT

UL SPECIFICATION SHEET

NORTH AMERICA



IN_P_UL_20V1

ABOUT INDI

A relaxed yet striking design, the handcrafted Indi collection embodies the beauty of black with pared back simplicity.

Honest materials unite with detailed craftsmanship, each Indi shade is individually woven by skilled artisan hands.

Indi shade is removable for easy cleaning.

Indi available in wall sconce, pendant, table lamp and floor lamp.

LEAD TIME

8 - 10 weeks

LIGHT SOURCE

120V E12 LED Filament 4W
2700K warm white
350 lumens
Dimmable
Globe included

INSTALLATION

Supplied with mounting plate
to fit 4.0/3.5 Jbox

CUSTOMISATION

Variations to rod length can
be specified at time of order
placement

WEIGHT

21 lb

FITTING FINISHES

Brass
Mid Bronze (shown)
Articolo Black
Matte White
Electroplate Black
Satin Nickel

SHADE COLOURS

Clear (shown)

WEAVE COLOURS

Black (shown)
Natural
Black and Natural
Sand

CERTIFICATION

US/ETL/CA

WARRANTY

3 years