

INDI COLLECTION

TABLE LAMP

UL SPECIFICATION SHEET

NORTH AMERICA



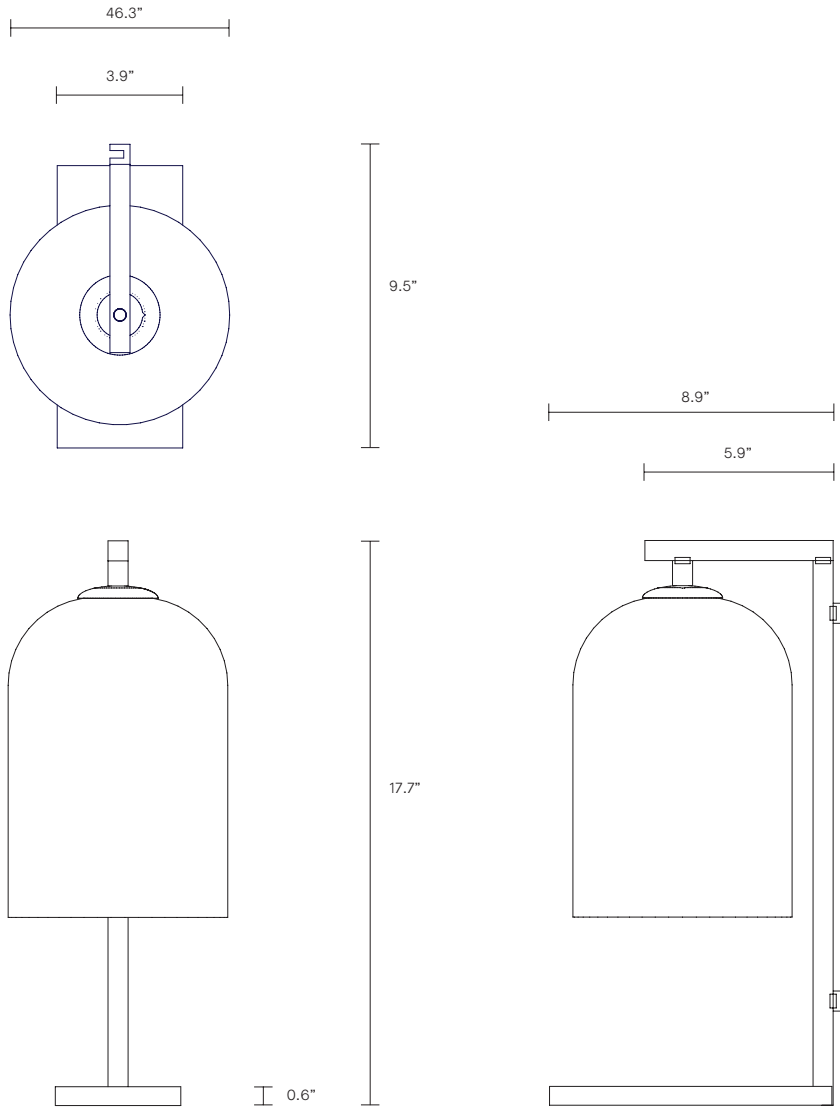
ARTICOLO

INDI COLLECTION

TABLE LAMP

UL SPECIFICATION SHEET

NORTH AMERICA



IN_TL_S_L_18V3

ABOUT INDI

A relaxed yet striking design, the handcrafted Indi collection embodies the beauty of black with pared back simplicity

Honest materials unite with detailed craftsmanship, each Indi shade is individually woven by skilled artisan hands.

Indi shade is removable for easy cleaning.

Indi available in wall sconce, pendant, table lamp, floor lamp.

LEAD TIME

8 - 10 weeks

LIGHT SOURCE

110V E12 (35W)
Small Fancy Round

WEIGHT

13.3lb

FITTING FINISHES

Articolo black (cover)
Matte White

FLEX CORD COLOURS

Black (cover)
White
Ivory

SHADE COMBINATIONS

Black and Natural weave on
clear glass shade (cover)

Black weave on clear glass
shade

Black weave on smoke glass
shade