

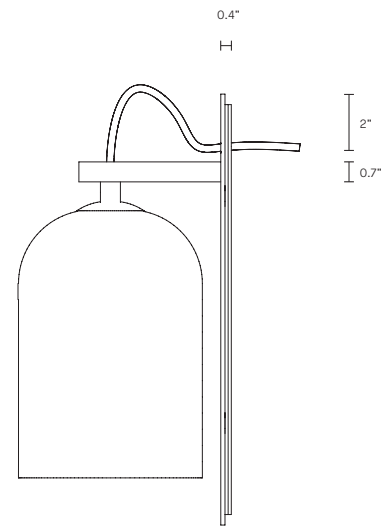
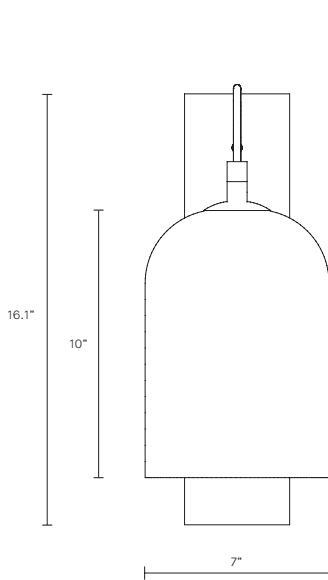
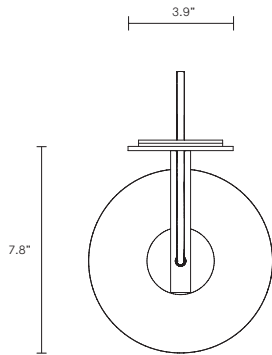


# INDI COLLECTION

## WALL SCONCE

# UL SPECIFICATION SHEET

## NORTH AMERICA



IN\_SWS\_S\_L\_18V3

### ABOUT INDI

A relaxed yet striking design, the handcrafted Indi collection embodies the beauty of black with pared back simplicity.

Honest materials unite with detailed craftsmanship, each Indi shade is individually woven by skilled artisan hands.

Indi shade is removable for easy cleaning.

Indi available in wall sconce, pendant, table lamp and floor lamp.

### LEAD TIME

8 - 10 weeks

### LIGHT SOURCE

110V E12 6W LED  
2700K warm white  
600 lumens  
Dimmable  
Globe included

### WEIGHT

10lb

### SMALL LUMI DIMENSIONS

Shade 5.1" x 5.1" x 6.9"  
Backplate 11.2" x 3.9"

### INSTALLATION

Supplied with mounting plate to fit 4.0/3.5 Jbox

### CERTIFICATION

US/ETL/CA

### WARRANTY

3 years

### FITTING FINISHES

Articolo Black (shown)  
Matte White

### SHADE COLOURS

Clear (shown)  
Smoke

### WEAVE COLOURS

Black (shown)  
Natural  
Black and Natural  
Sand

### FLEX CORD COLOURS

Black (shown)  
White  
Ivory