

LUMI COLLECTION

PENDANT

SPECIFICATION SHEET

AUSTRALIA / INTERNATIONAL



ARTICOLO

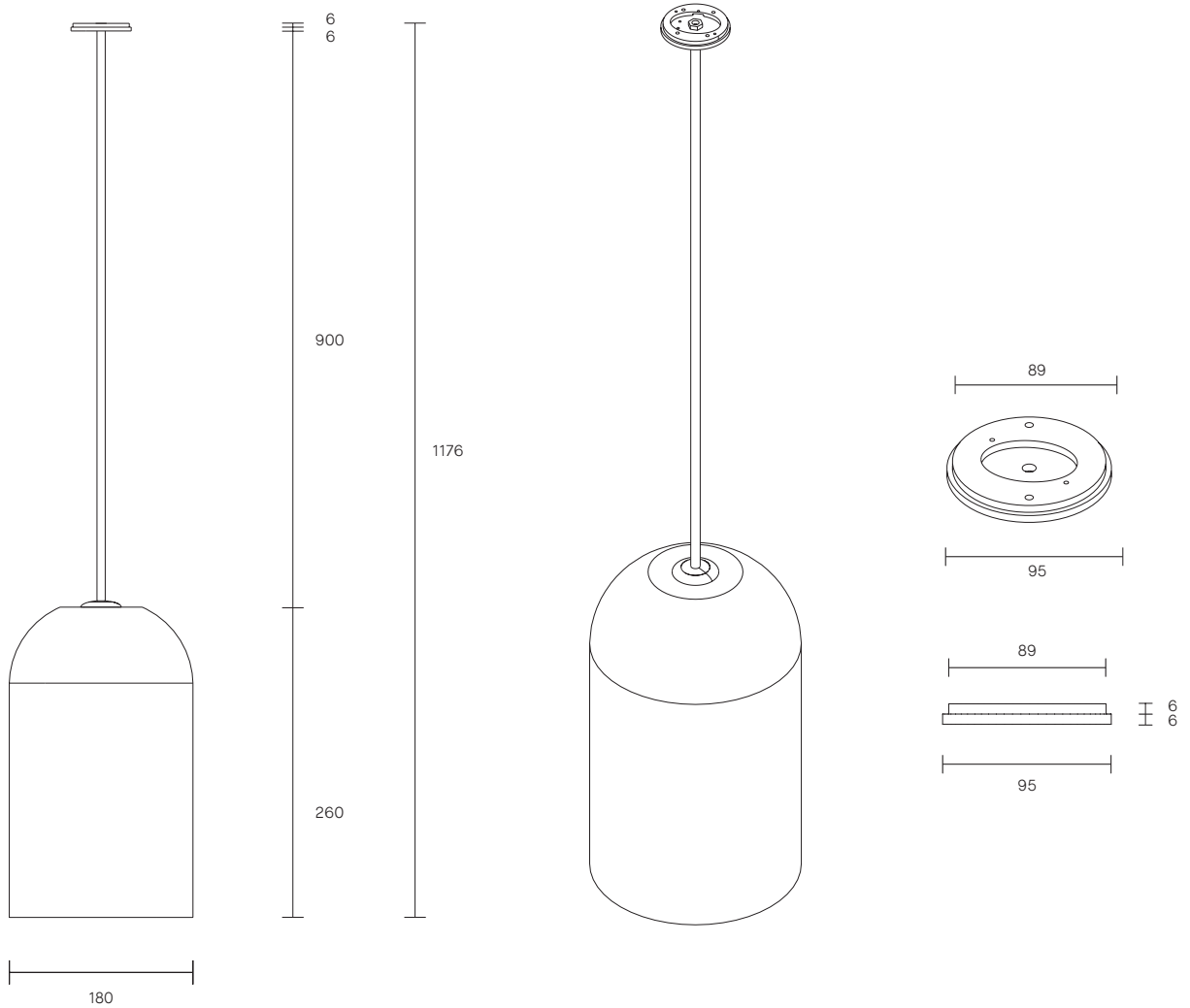
LUMI COLLECTION

PENDANT

SPECIFICATION SHEET

AUSTRALIA / INTERNATIONAL

LU_P_S_AU_18V3



ABOUT LUMI

Lumi is timeless in its refined elegance and simplicity of form, its distinctive design characterized by one mouthblown glass vessel cocooned in the other. Together, the vessels express feminine fluidity of form while celebrating the subtle striations found in organic mouthblown glass.

The Lumi shades are removable for easy cleaning.

Lumi is available in wall sconce, table lamp, floor lamp and pendant.

LEAD TIME

6 - 8 weeks

LIGHT SOURCE

240V, E14 small fancy round (35W)

Dimmable

WEIGHT

4 kg

FITTING FINISH

Articolo Black (cover)
Matte White

FLEX CORD COLOURS

Black
White
Natural Linen
Mid Grey
Black and White

(Flex in place of rod available upon request)

SHADE COMBINATIONS

Smoke / Smoke
Smoke / Frosted Smoke
Grey / Grey (cover)
Clear / White
Drunken Emerald / Drunken Emerald

(Outer shade listed first/inner shade listed second)