

LUMI COLLECTION
PENDANT

UL SPECIFICATION SHEET
NORTH AMERICA



ARTICOLO

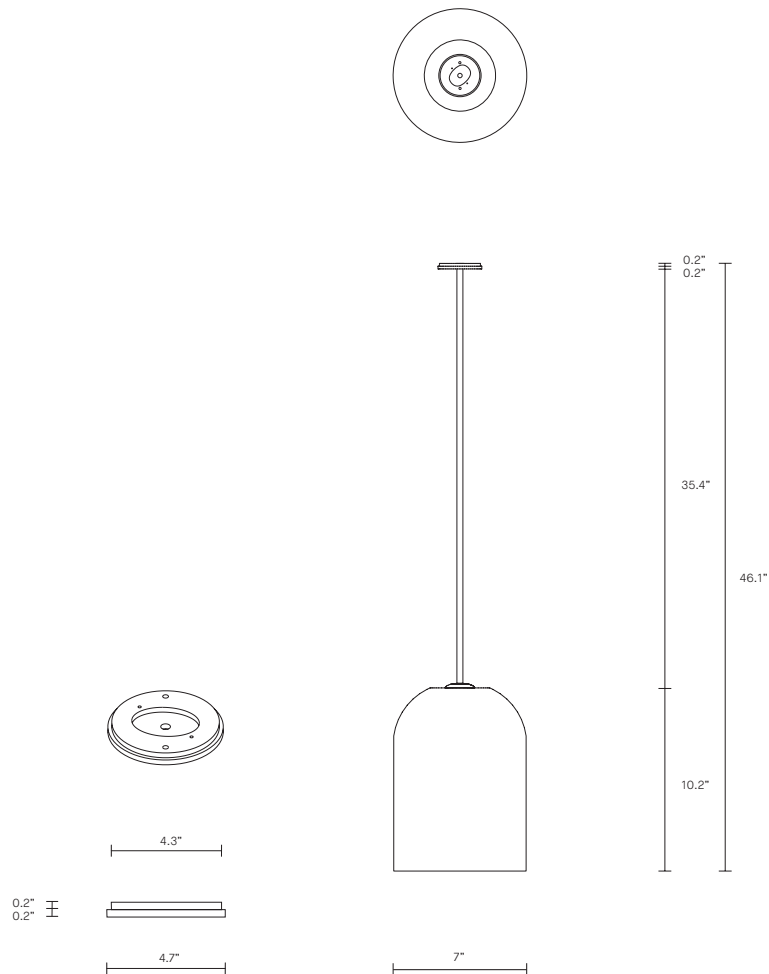
LUMI COLLECTION

PENDANT

UL SPECIFICATION SHEET

NORTH AMERICA

LU_RP_S_L_19V3



ABOUT LUMI

Lumi is timeless in its refined elegance and simplicity of form, its distinctive design characterized by one mouthblown glass vessel cocooned in the other. Together, the vessels express feminine fluidity of form while celebrating the subtle striations found in organic mouthblown glass.

The Lumi shades are removable for easy cleaning.

Lumi is available in wall sconce, table lamp, floor lamp and pendant.

LEAD TIME

8 - 10 weeks

LIGHT SOURCE

110V E12 6W LED
2700K warm white
600 lumens
Dimmable
Globe included

WEIGHT

21 lb

CUSTOMISATION

Variations to rod length can be specified at time of order placement

INSTALLATION

Supplied with mounting plate to fit 4.0/3.5 Jbox

FITTING FINISHES

Articolo Black
Matte White (shown)
Brass
Mid Bronze

EXTERIOR SHADE COLOUR

Clear (shown)
Smoke
Grey
Drunken Emerald

INTERIOR SHADE COLOUR

Frosted White (shown)
Frosted Smoke
Smoke
Grey
Drunken Emerald

CERTIFICATION

CE/AU

WARRANTY

3 years