

LUMI COLLECTION

PENDANT

SPECIFICATION SHEET

AUSTRALIA / INTERNATIONAL



ARTICOLO

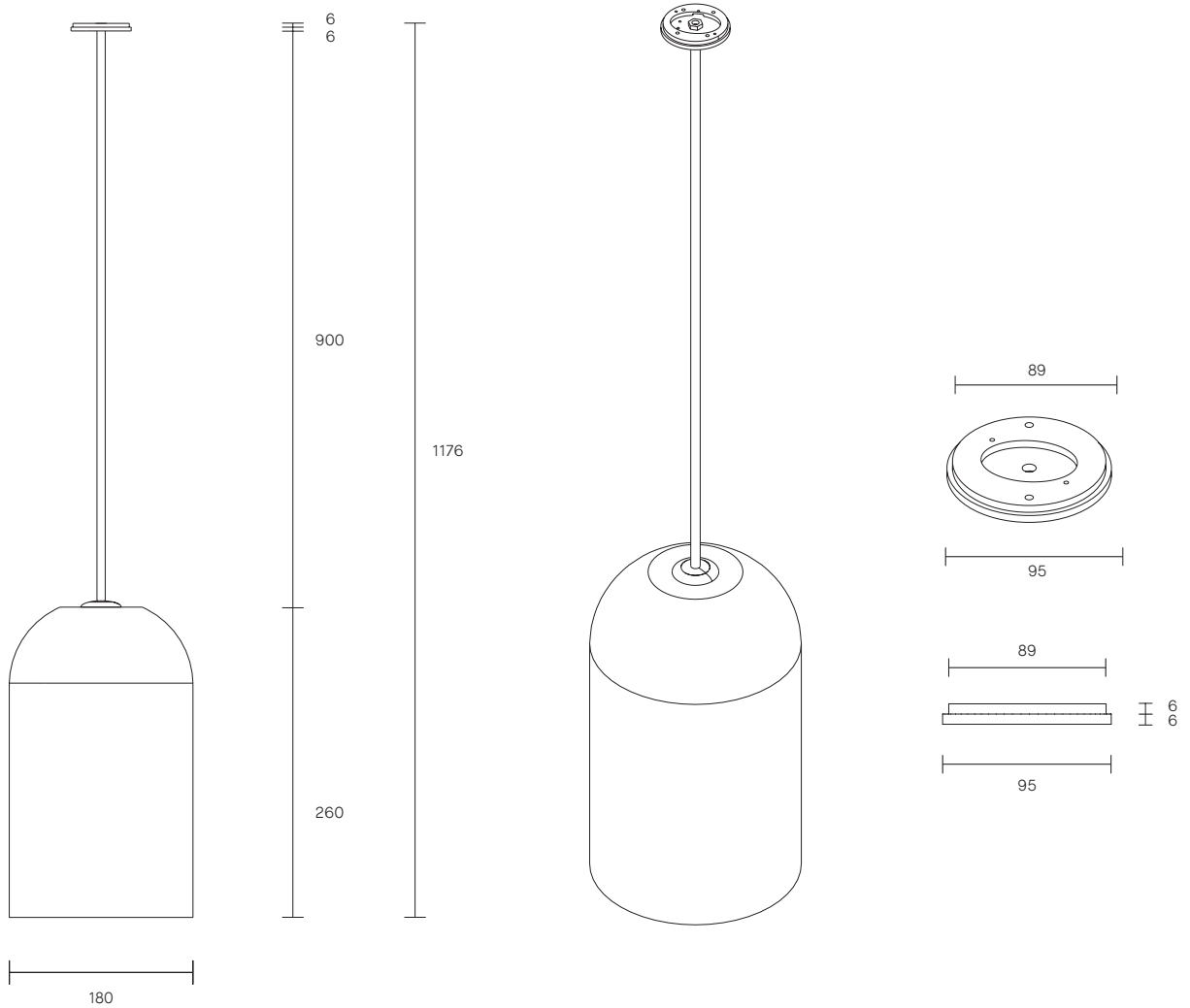
# LUMI COLLECTION

PENDANT

## SPECIFICATION SHEET

AUSTRALIA / INTERNATIONAL

LU\_P\_S\_AU\_18V3



### ABOUT LUMI

Lumi is timeless in its refined elegance and simplicity of form, its distinctive design characterized by one mouthblown glass vessel cocooned in the other. Together, the vessels express feminine fluidity of form while celebrating the subtle striations found in organic mouthblown glass.

The Lumi shades are removable for easy cleaning.

Lumi is available in wall sconce, table lamp, floor lamp and pendant.

### LEAD TIME

6 - 8 weeks

### LIGHT SOURCE

240V, E14 small fancy round (35W)

Dimmable

### WEIGHT

4 kg

### FITTING FINISH

Articolo Black (cover)  
Matte White

### FLEX CORD COLOURS

Black  
White  
Natural Linen  
Mid Grey  
Black and White

(Flex in place of rod available upon request)

### SHADE COMBINATIONS

Smoke / Smoke (cover)  
Smoke / Frosted Smoke  
Grey / Grey  
Clear / White  
Drunken Emerald / Drunken Emerald

(Outer shade listed first/inner shade listed second)