

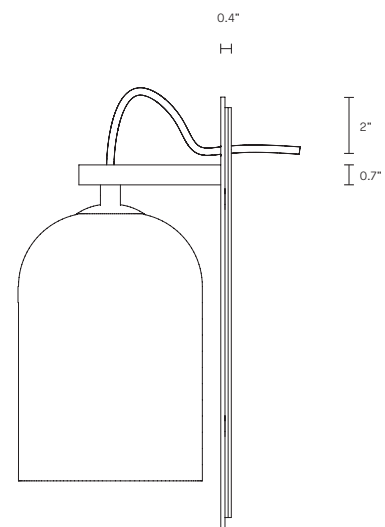
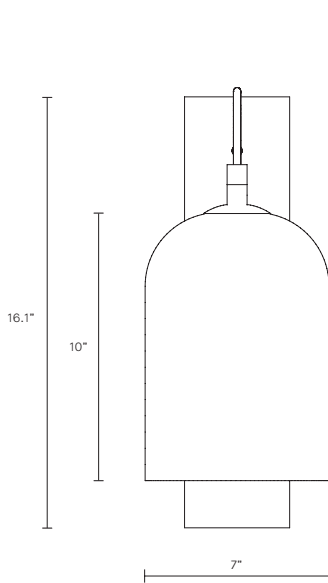
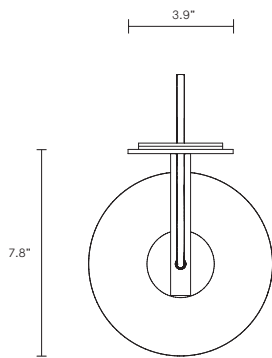


LUMI COLLECTION

WALL SCONCE

UL SPECIFICATION SHEET

NORTH AMERICA



LU_WS_S_L_19V3

ABOUT LUMI

Lumi is timeless in its refined elegance and simplicity of form, its distinctive design characterized by one mouthblown glass vessel cocooned in the other. Together, the vessels express feminine fluidity of form while celebrating the subtle striations found in organic mouthblown glass.

The Lumi shades are removable for easy cleaning.

Lumi is available in wall sconce, table lamp, floor lamp and pendant.

LEAD TIME

8 - 10 weeks

LIGHT SOURCE

110V E12 6W LED
2700K warm white
600 lumens
Dimmable
Globe included

WEIGHT

10 lb

SMALL LUMI DIMENSIONS

Shade 5.1" x 5.1" x 6.9"
Backplate 11.2" x 3.9"

INSTALLATION

Supplied with mounting plate to fit 4.0/3.5 Jbox

CERTIFICATION

US/ETL/CA

WARRANTY

3 years

FITTING FINISHES

Articolo Black (shown)
Matte White
Brass
Brass Arm Detail

EXTERIOR SHADE COLOUR

Clear
Smoke (shown)
Grey
Drunken Emerald

INTERIOR SHADE COLOUR

Frosted White
Frosted Smoke
Smoke (shown)
Grey
Drunken Emerald

FLEX CORD COLOURS

Black (shown)
White
Ivory