

LUMI COLLECTION  
LARGE WALL SCONCE

UL SPECIFICATION SHEET  
NORTH AMERICA



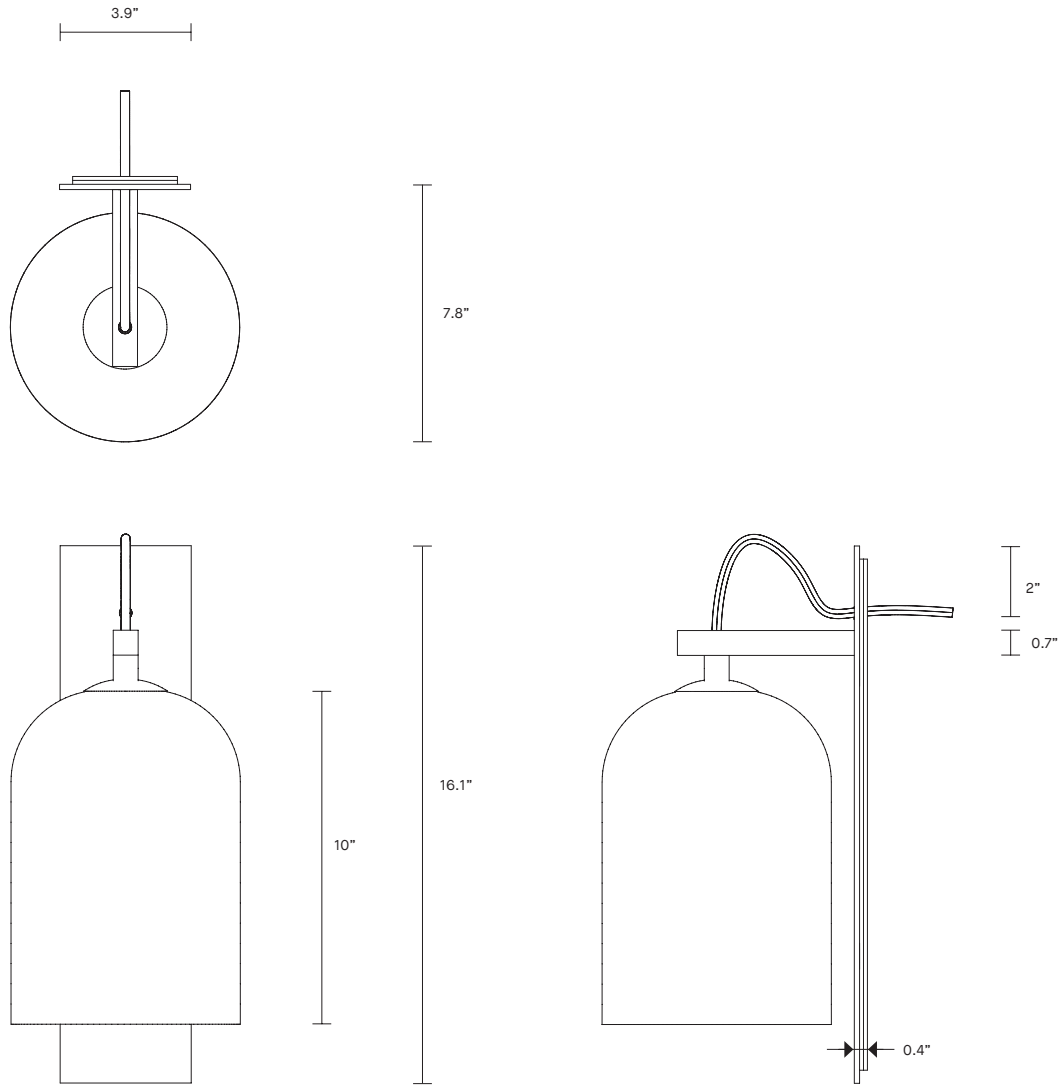
ARTICOLO

# LUMI COLLECTION

## LARGE WALL SCONCE

# UL SPECIFICATION SHEET

NORTH AMERICA



LU\_LWS\_S\_L\_18V3

### ABOUT LUMI

Lumi is timeless in its refined elegance and simplicity of form, its distinctive design characterized by one mouthblown glass vessel cocooned in the other. Together, the vessels express feminine fluidity of form while celebrating the subtle striations found in organic mouthblown glass.

The Lumi shades are removable for easy cleaning.

Lumi is available in wall sconce, table lamp, floor lamp and pendant.

### LEAD TIME

8 - 10 weeks

### LIGHT SOURCE

120V E12 Small Fancy Round (35W)

Dimmable

### INSTALLATION

Supplied with mounting plate to fit 4.0/3.5 Jbox

### WEIGHT

10lb

### FITTING FINISHES

Articolo Black (cover)  
Matte White  
Brass Arm Details

### FLEX CORD COLOURS

Black (cover)  
White  
Ivory

### SHADE COMBINATIONS

Smoke / Smoke  
Smoke / Frosted Smoke  
Grey / Grey (cover)  
Clear / White  
Drunken Emerald / Drunken Emerald