

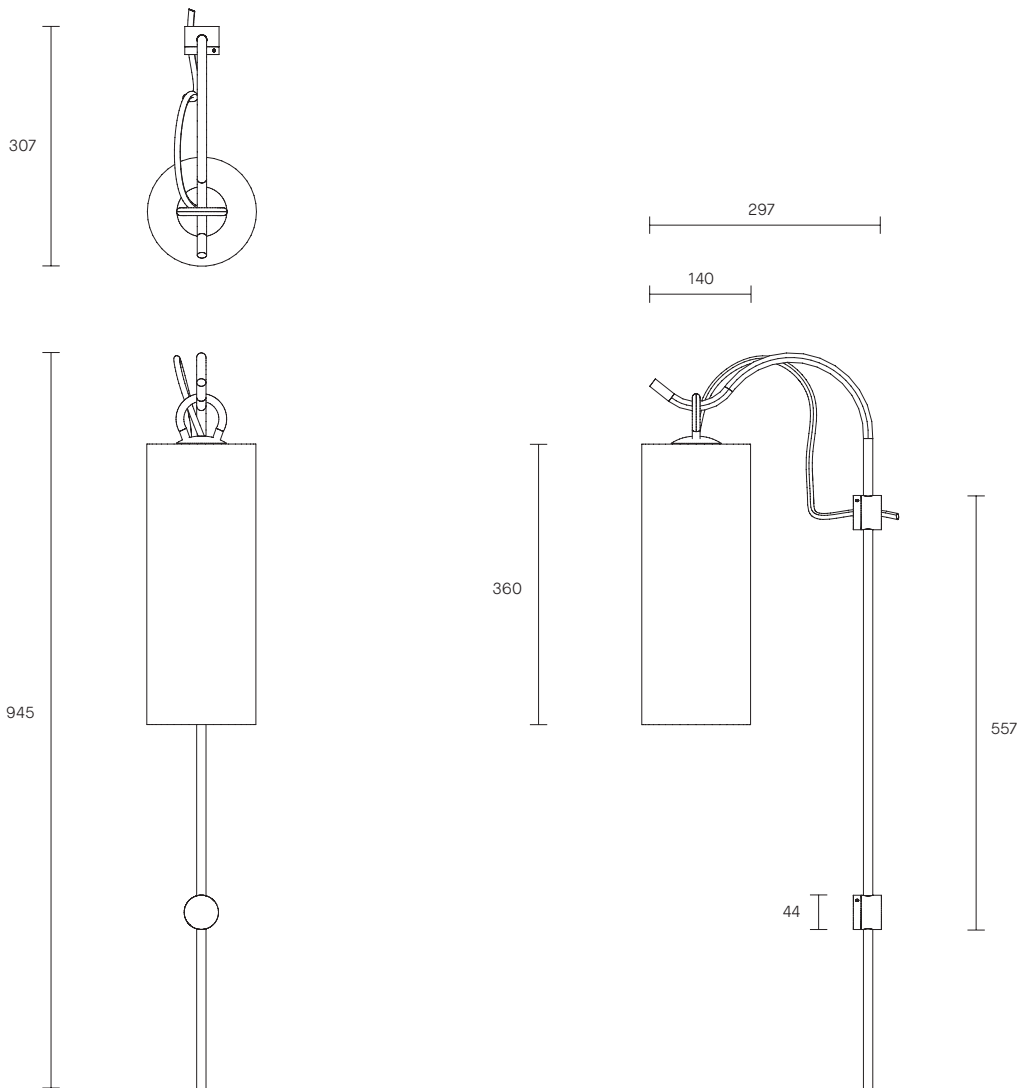


# STAFF COLLECTION

## WALL SCONCE

# SPECIFICATION SHEET

AUSTRALIA / INTERNATIONAL



SF\_WS\_S\_AU\_20V2

### ABOUT STAFF

Distinguished by its solid brass staff, elongated proportions and fluid hook detail, the Staff wall sconce balances elegance and dramatics with an easy sensibility. As a focal point of the design, the long cylindrical porcelain shade features individually hand-etched inlay banding that, when lit, becomes translucent and provides a delicate, uniquely banded glowing light.

### LEAD TIME

6 - 8 weeks

### LIGHT SOURCE

240V E14 Fancy Round 4W LED  
2700K warm white  
400 lumens  
Dimmable  
Globe included

### WEIGHT

4kg

### CERTIFICATION

CE/AU

### WARRANTY

3 years

### FITTING FINISHES

Brass (shown)  
Mid Bronze  
Articolo Black  
Matte White  
Satin Nickel

### SHADE COLOURS

Natural Banded (shown)  
Charcoal

### FLEX CORD COLOURS

Black  
White (shown)  
Natural Linen  
Light Grey Linen