

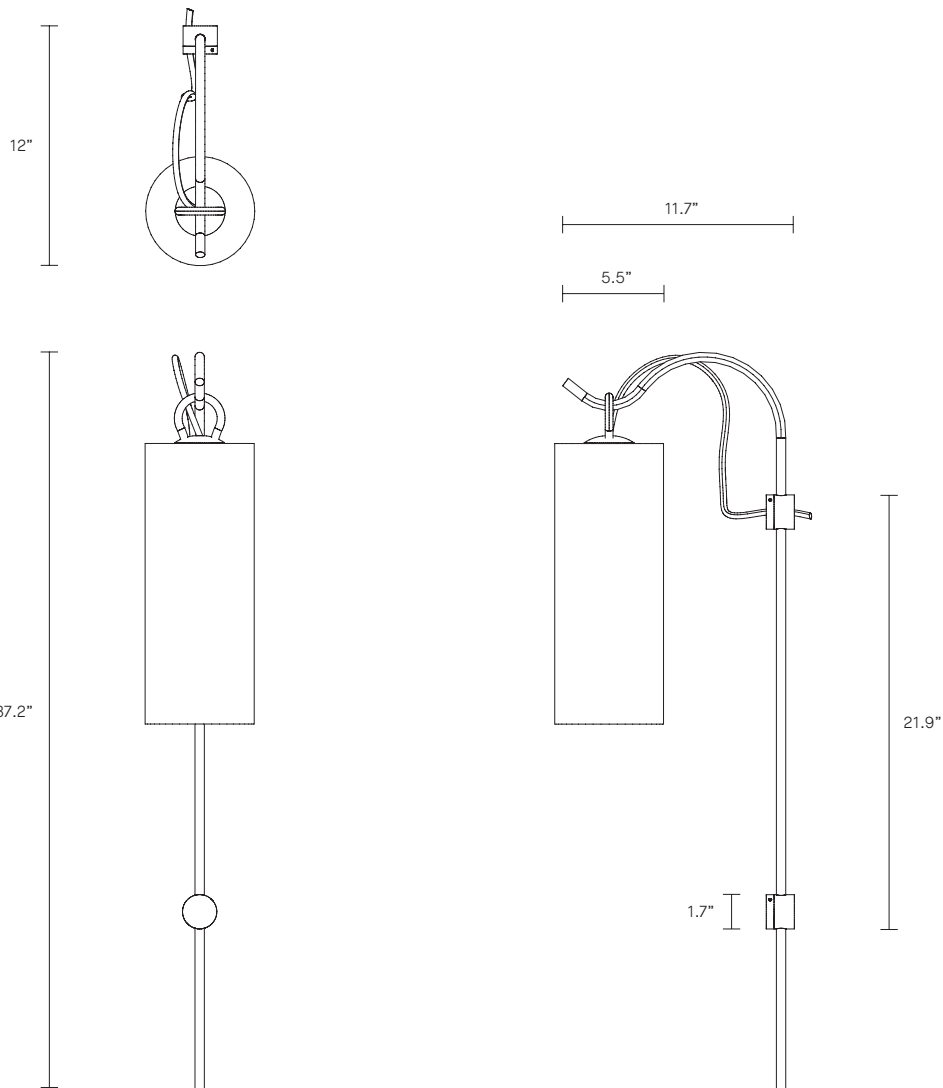


STAFF COLLECTION

WALL SCONCE

UL SPECIFICATION SHEET

NORTH AMERICA



SF_WS_S_UL_19V1

ABOUT STAFF

Distinguished by its solid brass staff, elongated proportions and fluid hook detail, the Staff wall sconce balances elegance and dramatics with an easy sensibility. As a focal point of the design, the long cylindrical porcelain shade features individually hand-etched inlay banding that, when lit, becomes translucent and provides a delicate, uniquely banded glowing light.

LEAD TIME

8 - 10 weeks

LIGHT SOURCE

110V E12 6W LED
2700K warm white
600 lumens
Dimmable
Globe included

WEIGHT

9 lb

CERTIFICATION

US/ETL/CA

WARRANTY

3 years

FITTING FINISHES

Brass (shown)
Mid Bronze
Articolo Black
Matte White
Satin Nickel

SHADE COLOURS

Natural Banded (shown)
Charcoal

FLEX CORD COLOURS

Black
White (shown)
Ivory