

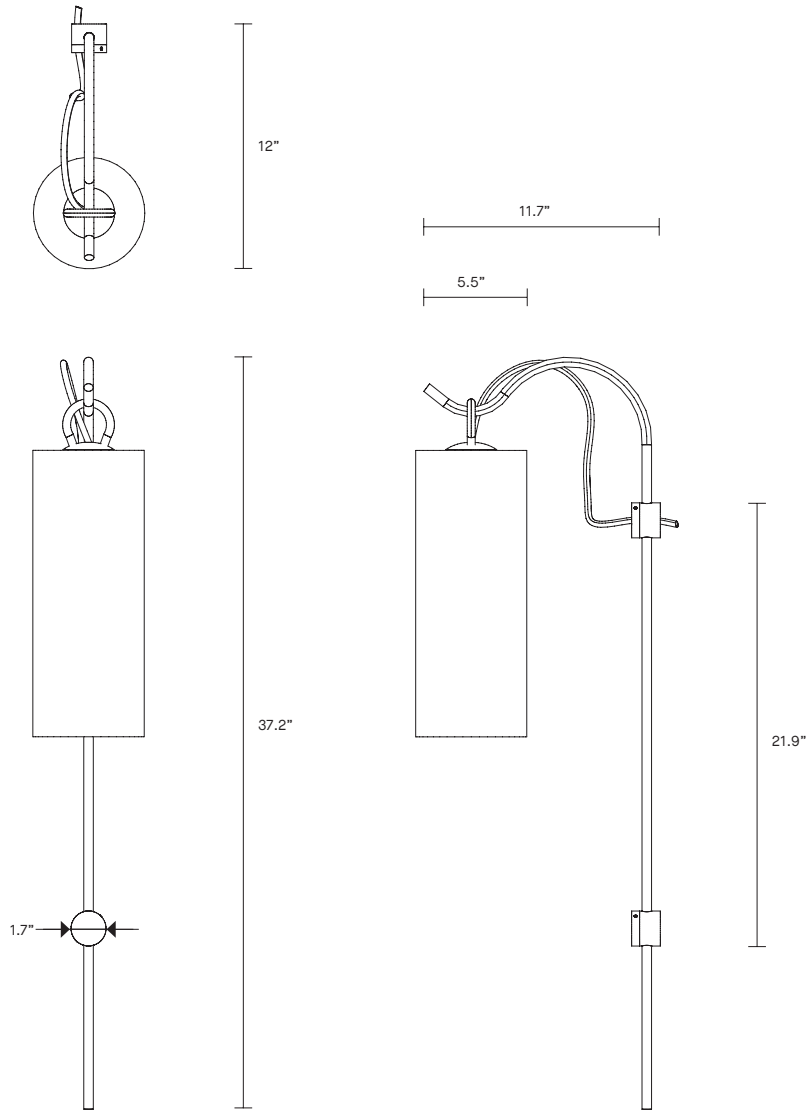


STAFF COLLECTION

WALL SCONCE

UL SPECIFICATION SHEET

NORTH AMERICA



STA_WS_S_L_18V3

ABOUT STAFF

Distinguished by its solid brass staff, elongated proportions and fluid hook detail, the Staff wall sconce balances elegance and dramatics with an easy sensibility. As a focal point of the design, the long cylindrical porcelain shade features individually hand-etched inlay banding that, when lit, becomes translucent and provides a delicate, uniquely banded glowing light.

LEAD TIME

8 - 10 weeks

LIGHT SOURCE

110V E12 Small Fancy Round (35W)

Dimmable

INSTALLATION

Supplied with mounting plate to fit 4.0/3.5 Jbox

Escutcheons may be ordered to conceal Jbox openings where needed

WEIGHT

9lb

FITTING FINISHES

Brass (cover)
Mid Bronze
Articolo Black
Matte White
Satin Nickel

FLEX CORD COLOURS

White
Black
Ivory

SHADE COMBINATIONS

Natural Banded (cover)
Charcoal