



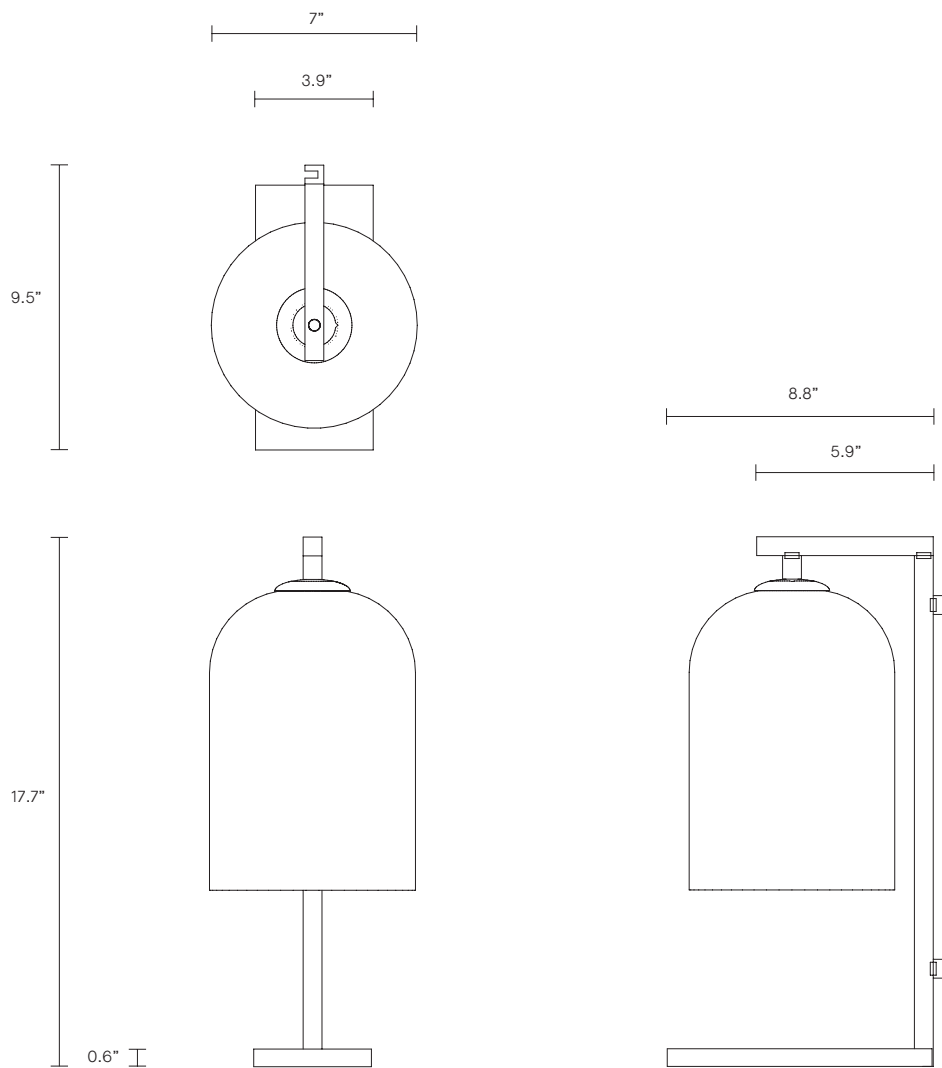
MONI COLLECTION

TABLE LAMP

UL SPECIFICATION SHEET

NORTH AMERICA

MO_TL_S_UL_20V2



ABOUT MONI

Moni is an innovative yet astute collection, its monochromatic palette softened by a gentle, fluid form that is perfectly complemented in proportion and balance. The white dipped coloured shades add further dynamic, pairing the weightlessness of artisanal mouthblown glass with an opaque quality.

The Moni shade is removable for easy cleaning.

Moni is available in table lamp, floor lamp, wall sconce and pendant.

LEAD TIME

8 - 10 weeks

LIGHT SOURCE

110V E12 6W LED
2700K warm white
600 lumens
Globe included

WEIGHT

13 lb

CERTIFICATION

US/ETL/CA

WARRANTY

3 years

FITTING FINISHES

Brass
Articolo Black (shown)
Matte White

SHADE COLOURS

Clear and White (shown)

FLEX CORD COLOURS

Black (shown)
White
Ivory