



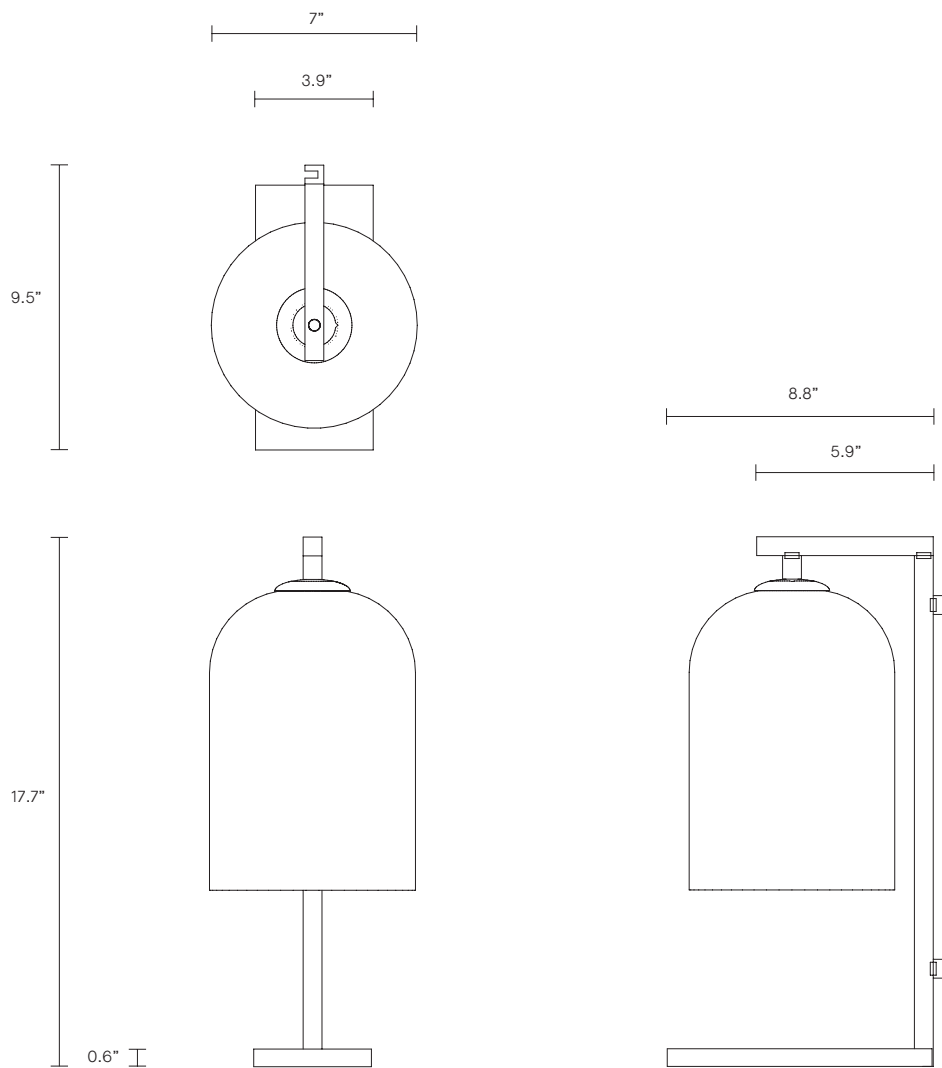
# MONI COLLECTION

## TABLE LAMP

# UL SPECIFICATION SHEET

NORTH AMERICA

MO\_TL\_S\_UL\_20V2



### ABOUT MONI

Moni is an innovative yet astute collection, its monochromatic palette softened by a gentle, fluid form that is perfectly complemented in proportion and balance. The white dipped coloured shades add further dynamic, pairing the weightlessness of artisanal mouthblown glass with an opaque quality.

The Moni shade is removable for easy cleaning.

Moni is available in table lamp, floor lamp, wall sconce and pendant.

### LEAD TIME

8 - 10 weeks

### LIGHT SOURCE

110V E12 6W LED  
2700K warm white  
600 lumens  
Globe included

### WEIGHT

13 lb

### CERTIFICATION

US/ETL/CA

### WARRANTY

3 years

### FITTING FINISHES

Brass  
Articolo Black  
Matte White (shown)

### SHADE COLOURS

Clear and White (shown)

### FLEX CORD COLOURS

Black  
White  
Ivory