

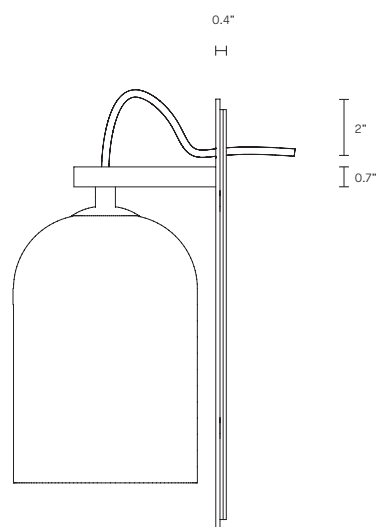
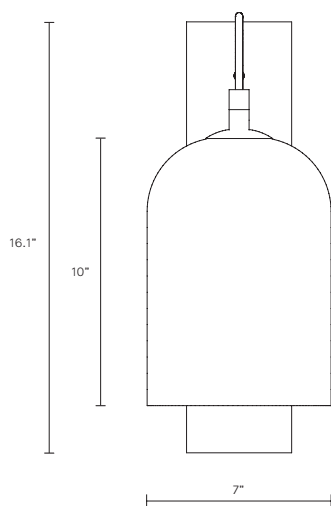
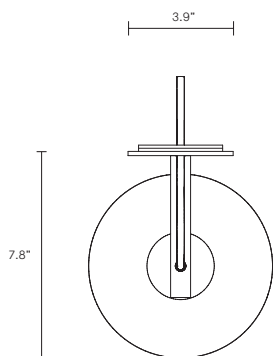


MONI COLLECTION

WALL SCONCE

UL SPECIFICATION SHEET

NORTH AMERICA



MO_WS_S_AU_19V2

ABOUT MONI

Moni is an innovative yet astute collection, its monochromatic palette softened by a gentle, fluid form that is perfectly complemented in proportion and balance.

The black and white dipped coloured shades add further dynamic, pairing the weightlessness of artisanal mouthblown glass with an opaque quality.

Moni shade is removable for easy cleaning.

Moni available in table lamp, floor lamp, wall sconce and pendant.

LEAD TIME

8 - 10 weeks

LIGHT SOURCE

110V E12 6W LED
2700K warm white
600 lumens
Dimmable
Globe included

INSTALLATION

Supplied with mounting plate to fit 4.0/3.5 Jbox

CUSTOMISATION

Brass arm detail available upon request

WEIGHT

10lb

FITTING FINISHES

Articolo Black (shown)
Matte White
Brass Arm Detail

SHADE COLOURS

White with Clear (shown)

FLEX CORD COLOURS

Black (shown)
White
Natural Linen
Grey
Ivory

CERTIFICATION

US/ETL/CA

WARRANTY

3 years