

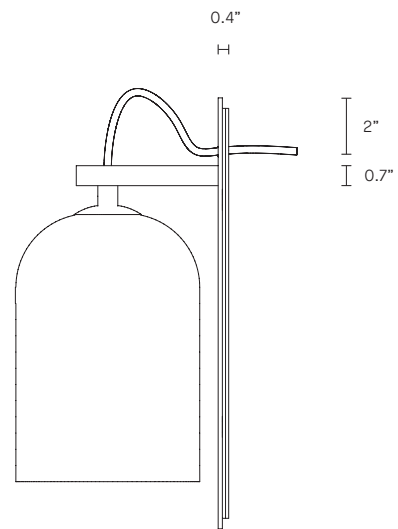
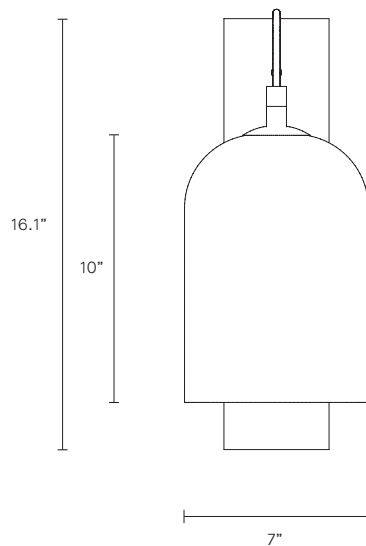
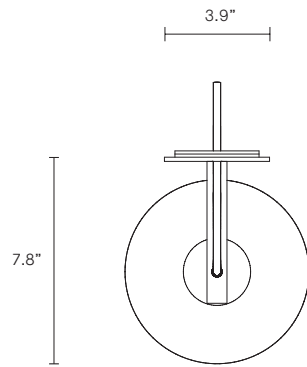


# MONI COLLECTION

## WALL SCONCE

# UL SPECIFICATION SHEET

NORTH AMERICA



MO\_TL\_S\_UL\_20V2

### ABOUT MONI

Moni is an innovative yet astute collection, its monochromatic palette softened by a gentle, fluid form that is perfectly complemented in proportion and balance. The white dipped coloured shades add further dynamic, pairing the weightlessness of artisanal mouthblown glass with an opaque quality.

The Moni shade is removable for easy cleaning.

Moni is available in table lamp, floor lamp, wall sconce and pendant.

### LEAD TIME

8 - 10 weeks

### LIGHT SOURCE

110V E12 6W LED  
2700K warm white  
600 lumens  
Dimmable  
Globe included

### WEIGHT

10 lb

### INSTALLATION

Supplied with mounting plate to fit 4.0/3.5 Jbox

### FITTING FINISHES

Articolo Black (shown)  
Matte White

### SHADE COLOURS

Clear and White (shown)

### FLEX CORD COLOURS

Black (shown)  
White  
Ivory

### CERTIFICATION

US/ETL/CA

### WARRANTY

3 years