

DUO COLLECTION
WALL SCONCE WITH KICK

SPECIFICATION SHEET
AUSTRALIA / INTERNATIONAL



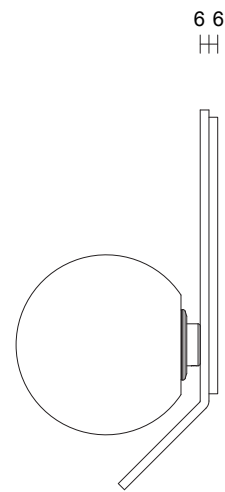
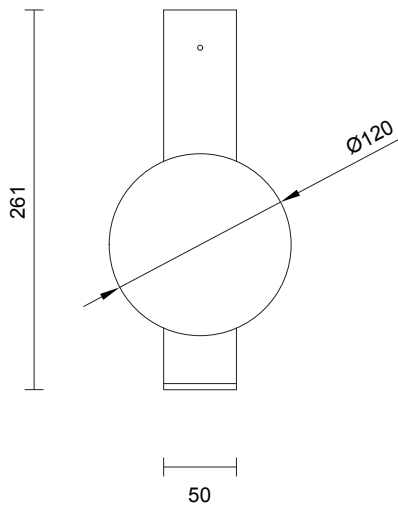
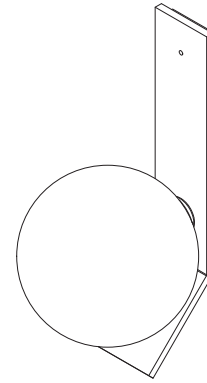
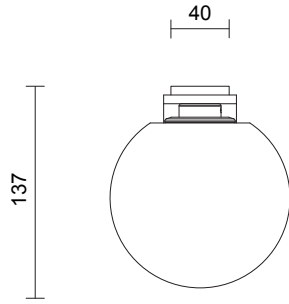
ARTICOLO

DUO COLLECTION

WALL SCONCE WITH KICK

SPECIFICATION SHEET

AUSTRALIA / INTERNATIONAL



DU_WSK_AU_22V1

ABOUT DUO

The duo collection celebrates the essence of duality. Muted tones in contemporary spherical fusion of transparent clear and earthy hues. These two elements combining in perfect balance and harmony.

LEAD TIME

6 - 8 weeks

LIGHT SOURCE

12V G4 2.5W LED bipin
2700k warm white
250 lumens
Dimmable
Globe included

INSTALLATION

Supplied with external driver

WEIGHT

2kg

CERTIFICATION

CE/AU

WARRANTY

3 years

FITTING DESIGN

Kick
Flat
Round

FITTING FINISH

Brass
Mid Bronze
Satin Nickel
Black Electroplate
White Powder Coat
Graphite Powder Coat

SHADE COLOURS

Grey and Clear
Smoke and Clear