

FIZI BALL COLLECTION

TALL TABLE LAMP

SPECIFICATION SHEET

AUSTRALIA / INTERNATIONAL



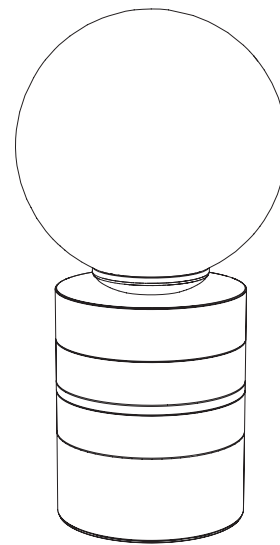
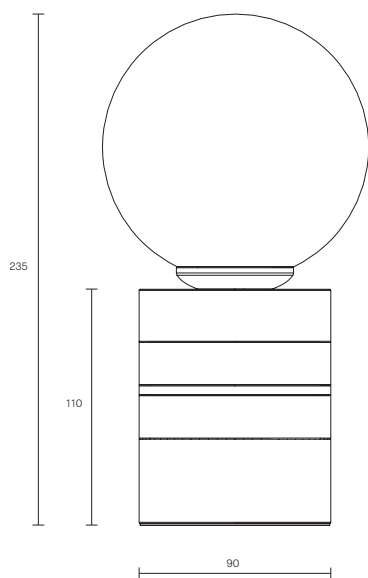
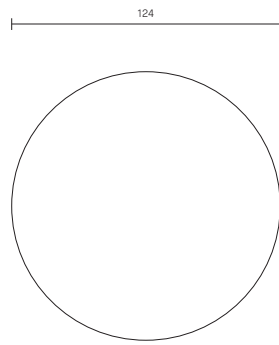
ARTICOLO

FIZI BALL COLLECTION

TALL TABLE LAMP

SPECIFICATION SHEET

AUSTRALIA / INTERNATIONAL



FI_TTL_S_AU_19V2

ABOUT FIZI

Effervescent yet luxuriously artisanal, Fizi is a celebration of 'the art of light'. The Fizi ball seems to burst with tiny bubbles glinting below the surface.

When lit, Fizi throws superb patterns and movement onto the surrounding walls, reflecting the unique material identity of mouthblown glass.

Fizi balls are removable for easy cleaning.

Fizi available in wall sconce, table lamp and pendant. Custom multi drops upon request.

LEAD TIME

6 - 8 weeks

LIGHT SOURCE

240V G9 3.5W LED bipin

2700k warm white

350 lumens

WEIGHT

7kg

FITTING DESIGN

Short

Tall (shown)

FITTING FINISH

Brass and Marble

Mid Bronze and

Travertine (shown)

Satin Nickel and

Marble

FLEX CORD COLOURS

White

Black

Natural Linen (shown)

Mid Grey

Black and White