

LUMI COLLECTION

TABLE LAMP

UL SPECIFICATION SHEET

NORTH AMERICA



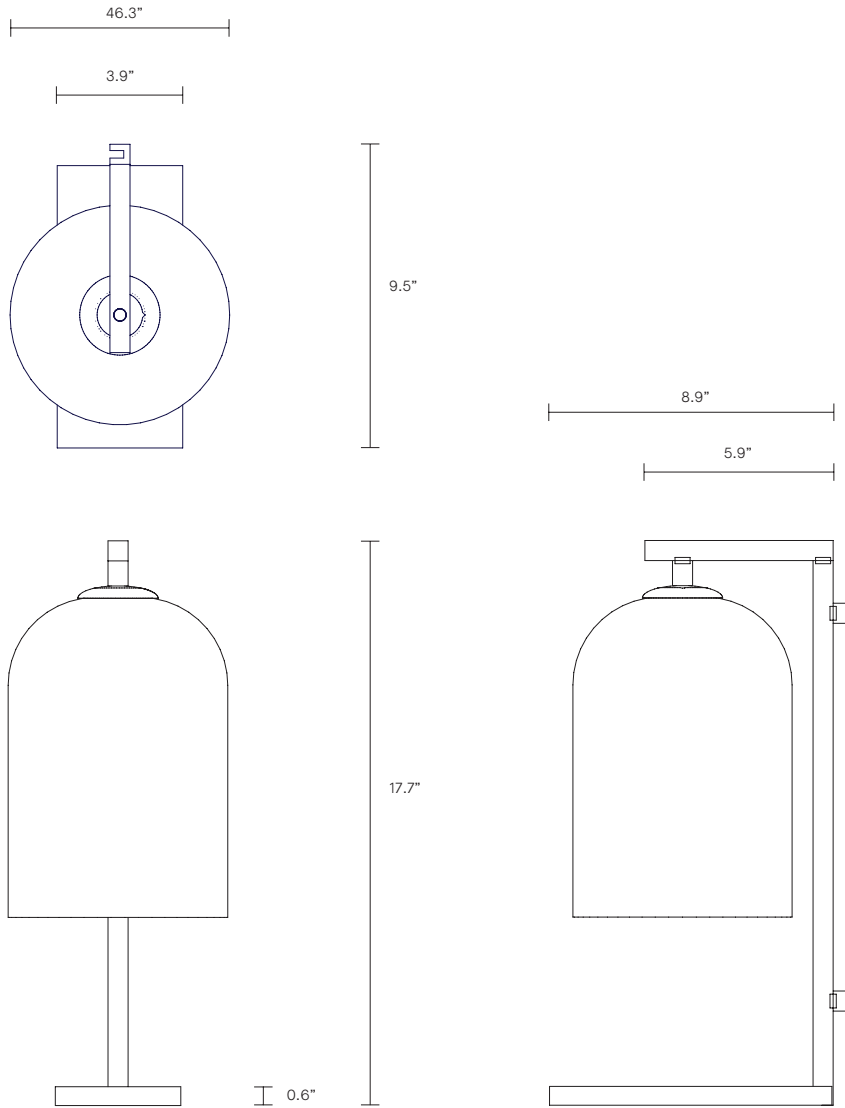
ARTICOLO

# LUMI COLLECTION

## TABLE LAMP

# UL SPECIFICATION SHEET

NORTH AMERICA



LU\_TL\_S\_L\_18V3

### ABOUT LUMI

Lumi is timeless in its refined elegance and simplicity of form, its distinctive design characterized by one mouthblown glass vessel cocooned in the other. Together, the vessels express feminine fluidity of form while celebrating the subtle striations found in organic mouthblown glass.

The Lumi shades are removable for easy cleaning.

Lumi is available in wall sconce, table lamp, floor lamp and pendant.

### LEAD TIME

8 - 10 weeks

### LIGHT SOURCE

110V E12 (35W)  
Small Fancy Round

### WEIGHT

13.3lb

### FITTING FINISHES

Articolo Black (cover)  
Matte White

### FLEX CORD COLOURS

Black (cover)  
White  
Ivory

### SHADE COMBINATIONS

Smoke / Smoke  
Smoke / Frosted Smoke  
Grey / Grey  
Clear / White  
Drunken Emerald /  
Drunken Emerald (cover)