

LUMI COLLECTION
LARGE WALL SCONCE

UL SPECIFICATION SHEET
NORTH AMERICA



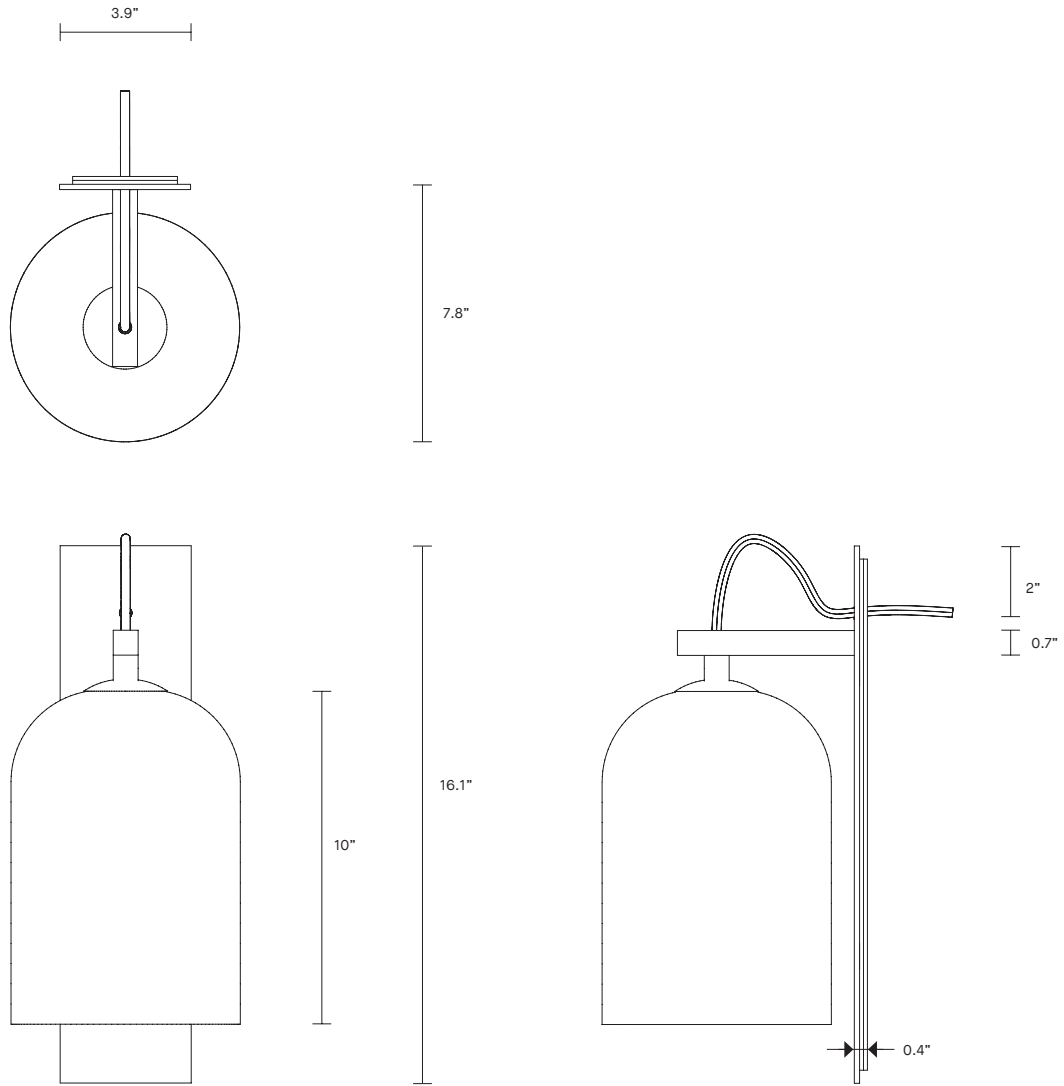
ARTICOLO

LUMI COLLECTION

LARGE WALL SCONCE

UL SPECIFICATION SHEET

NORTH AMERICA



ABOUT LUMI

Lumi is timeless in its refined elegance and simplicity of form, its distinctive design characterized by one mouthblown glass vessel cocooned in the other. Together, the vessels express feminine fluidity of form while celebrating the subtle striations found in organic mouthblown glass.

The Lumi shades are removable for easy cleaning.

Lumi is available in wall sconce, table lamp, floor lamp and pendant.

LEAD TIME

8 - 10 weeks

LIGHT SOURCE

110V E12 Small Fancy Round (35W)

Dimmable

INSTALLATION

Supplied with mounting plate to fit 4.0/3.5 Jbox

WEIGHT

10lb

FITTING FINISHES

Articolo Black (cover)
Matte White
Brass Arm Details

FLEX CORD COLOURS

Black (cover)
White
Ivory

SHADE COMBINATIONS

Smoke / Smoke
Smoke / Frosted Smoke
Grey / Grey
Clear / White
Drunken Emerald /
Drunken Emerald (cover)