

# FIZI BALL COLLECTION

TALL TABLE LAMP

SPECIFICATION SHEET

AUSTRALIA / INTERNATIONAL



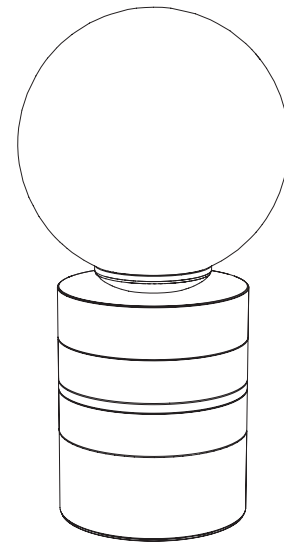
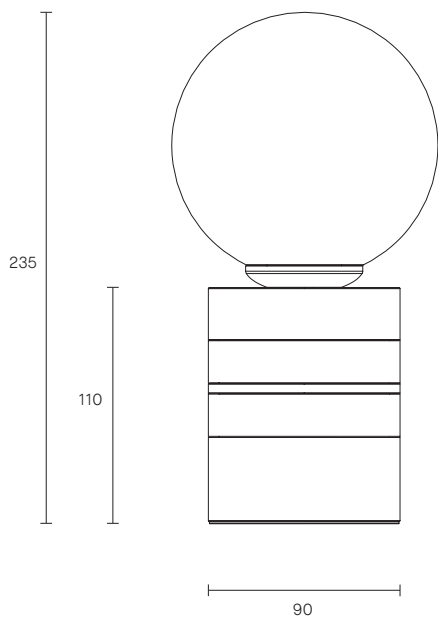
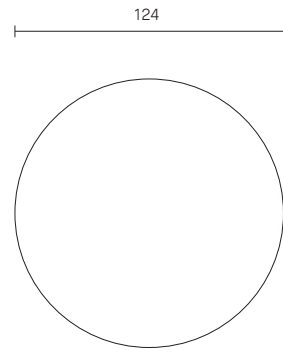
ARTICOLO

# FIZI BALL COLLECTION

## TALL TABLE LAMP

## SPECIFICATION SHEET

AUSTRALIA / INTERNATIONAL



FI\_TTL\_S\_AU\_20V1

### ABOUT FIZI

Effervescent yet luxuriously artisanal, Fizi is a celebration of 'the art of light'. The Fizi ball seems to burst with tiny bubbles glinting below the surface.

When lit, Fizi throws superb patterns and movement onto the surrounding walls, reflecting the unique material identity of mouthblown glass.

Fizi balls are removable for easy cleaning.

Fizi available in wall sconce, table lamp and pendant. Custom multi drops upon request.

### LEAD TIME

6 - 8 weeks

### LIGHT SOURCE

240V G9 3.5W LED bipin

2700k warm white

350 lumens

### WEIGHT

5kg

### CERTIFICATION

CE/AU

### WARRANTY

3 years

### FITTING DESIGN

Short

Tall (shown)

### FITTING FINISH

Brass

Mid Bronze

Satin Nickel (shown)

### STONE FINISH

Marble (shown)

Travertine

### FLEX CORD COLOURS

White (shown)

Black

Natural Linen

Light Grey Linen

Black and White