

FIZI BALL COLLECTION  
TALL TABLE LAMP

UL SPECIFICATION SHEET  
NORTH AMERICA



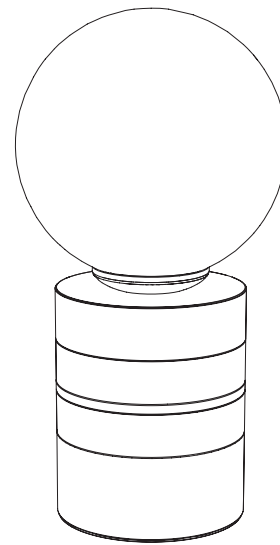
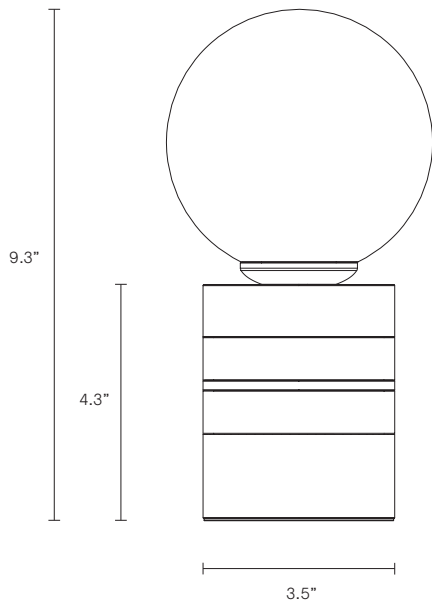
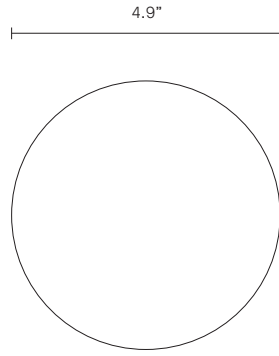
ARTICOLO

# FIZI BALL COLLECTION

TALL TABLE LAMP

UL SPECIFICATION SHEET

NORTH AMERICA



FI\_TTL\_S\_UL\_19V1

## ABOUT FIZI

Effervescent yet luxuriously artisanal, Fizi is a celebration of 'the art of light'. The Fizi ball seems to burst with tiny bubbles glinting below the surface.

When lit, Fizi throws superb patterns and movement onto the surrounding walls, reflecting the unique material identity of mouthblown glass.

Fizi balls are removable for easy cleaning.

Fizi available in wall sconce and pendant. Custom multi drops upon request.

## LEAD TIME

8 - 10 weeks

## LIGHT SOURCE

110V G9 3.5W LED bipin  
2700k warm white  
350 lumens

## WEIGHT

11.5 lb

## CERTIFICATION

US/ETL/CA

## WARRANTY

3 years

## FITTING DESIGN

Short

Tall (shown)

## FITTING FINISH

Brass

Mid Bronze

Satin Nickel (shown)

## STONE FINISH

Marble

Travertine (shown)

## FLEX CORD COLOURS

White

Black (shown)

Ivory