

FIZI BALL COLLECTION
TALL TABLE LAMP

UL SPECIFICATION SHEET
NORTH AMERICA



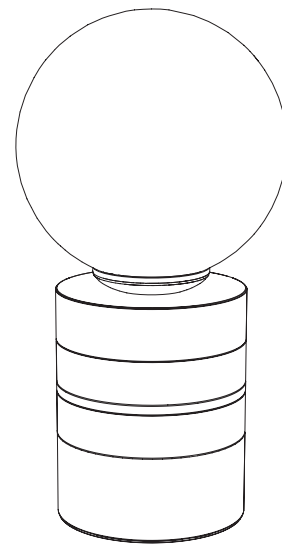
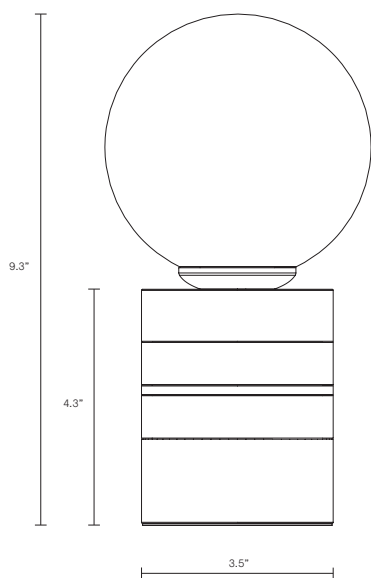
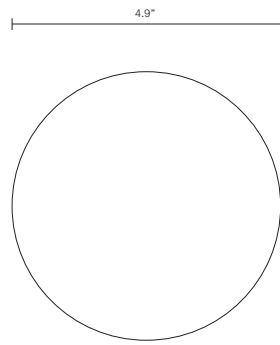
ARTICOLO

FIZI BALL COLLECTION

TALL TABLE LAMP

UL SPECIFICATION SHEET

NORTH AMERICA



FI_TTL_S_L_18V3

ABOUT FIZI

Effervescent yet luxuriously artisanal, Fizi is a celebration of 'the art of light'. The Fizi ball seems to burst with tiny bubbles glinting below the surface.

When lit, Fizi throws superb patterns and movement onto the surrounding walls, reflecting the unique material identity of mouthblown glass.

Fizi balls are removable for easy cleaning.

Fizi available in wall sconce and pendant. Custom multi drops upon request.

LEAD TIME

8 - 10 weeks

LIGHT SOURCE

110V G9 3.5W LED bipin

2700k warm white

350 lumens

WEIGHT

11.5lb

FITTING DESIGN

Short

Tall (shown)

FITTING FINISH

Brass and Marble

Mid Bronze and

Travertine

Satin Nickel and

Marble (shown)

FLEX CORD COLOURS

White

Black

Ivory