

BANDED COLLECTION

PENDANT

UL SPECIFICATION SHEET

NORTH AMERICA



ARTICOLO

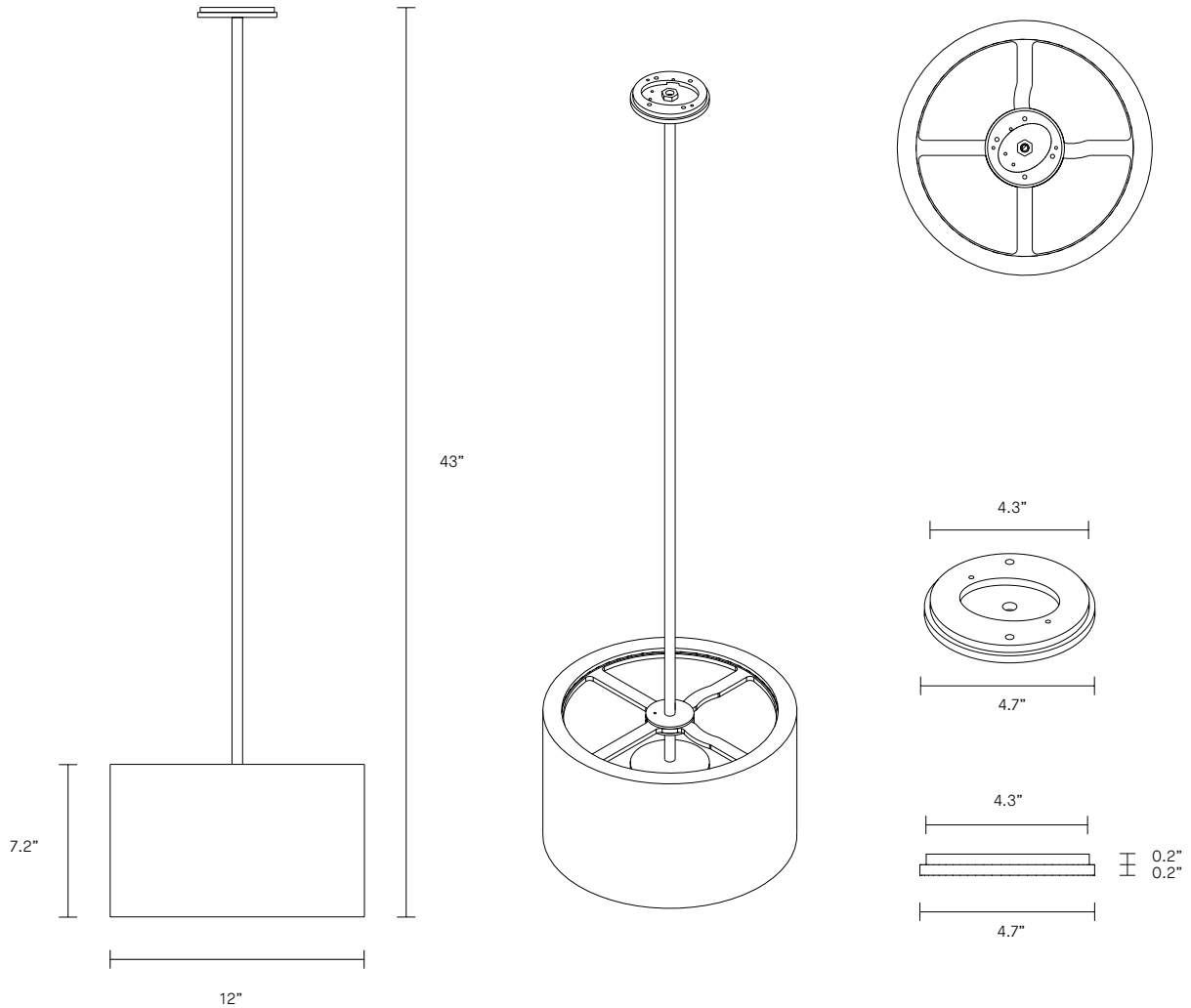
BANDED COLLECTION

PENDANT

UL SPECIFICATION SHEET

NORTH AMERICA

BA_P_S_L_19V1



ABOUT BANDED

Banded sees Articolò marry its contemporary design philosophy with centuries-old Japanese artisanship.

Each shade is produced by hand in Arita, Japan; a town famed for its porcelain and hand-painted finishes for over 200 years.

These superb art forms feature a custom designed light source, tirelessly perfected for the ultimate luminescent glow.

LEAD TIME

8 - 10 weeks

LIGHT SOURCE

12V LED Board

Supplied with external driver (Hatch RS12-15M-LED; 2.25"x1.25"x0.75")

Dimmable (Luxtron/Diva/CL)

INSTALLATION

Supplied with mounting plate to fit 4.0/3.5 Jbox

WEIGHT

11.5lb

FITTING FINISHES

Brass (cover)

Mid Bronze

Articolò Black

SHADE COMBINATIONS

Striped

Black / White (cover)