

# BANDED COLLECTION

PENDANT

SPECIFICATION SHEET

AUSTRALIA / INTERNATIONAL



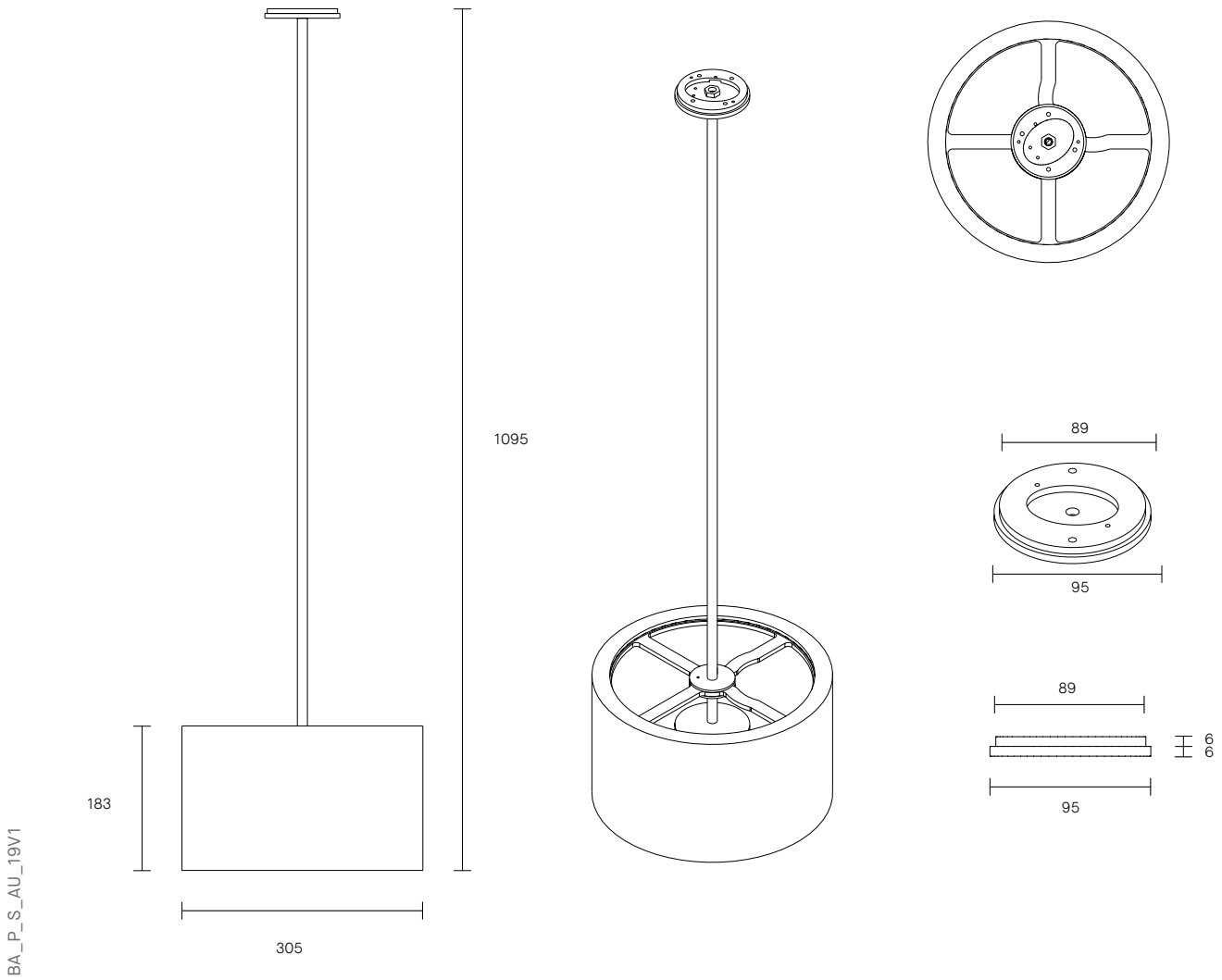
ARTICOLO

# BANDED COLLECTION

PENDANT

## SPECIFICATION SHEET

AUSTRALIA / INTERNATIONAL



### ABOUT BANDED

Banded sees Articolo marry its contemporary design philosophy with centuries-old Japanese artisanship.

Each shade is produced by hand in Arita, Japan; a town famed for its porcelain and hand-painted finishes for over 200 years.

These superb art forms feature a custom designed light source, tirelessly perfected for the ultimate luminescent glow.

### LEAD TIME

6 - 8 weeks

### LIGHT SOURCE

12V LED Board

### WEIGHT

Supplied with external driver

### WEIGHT

4.5 kg

### FITTING FINISHES

Brass (cover)

Mid Bronze

Articolo Black

### SHADE COMBINATIONS

Striped

Black / White (cover)