

BANDED COLLECTION

PENDANT

SPECIFICATION SHEET

AUSTRALIA / INTERNATIONAL



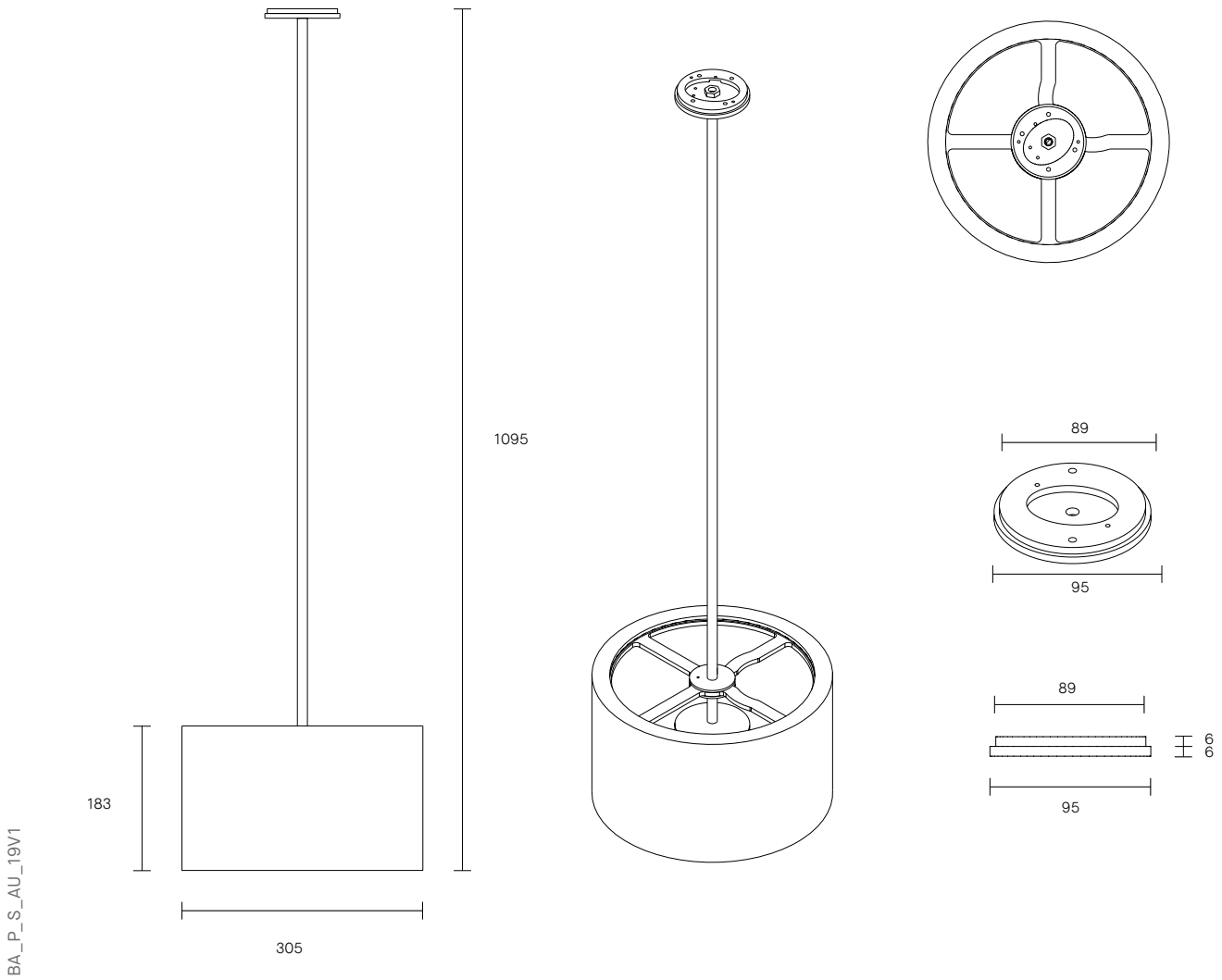
ARTICOLO

BANDED COLLECTION

PENDANT

SPECIFICATION SHEET

AUSTRALIA / INTERNATIONAL



ABOUT BANDED

Banded sees Articolo marry its contemporary design philosophy with centuries-old Japanese artisanship.

Each shade is produced by hand in Arita, Japan; a town famed for its porcelain and hand-painted finishes for over 200 years.

These superb art forms feature a custom designed light source, tirelessly perfected for the ultimate luminescent glow.

LEAD TIME

6 - 8 weeks

LIGHT SOURCE

12V LED Board

WEIGHT

Supplied with external driver

WEIGHT

4.5 kg

FITTING FINISHES

Brass (cover)

Mid Bronze

Articolo Black

SHADE COMBINATIONS

Striped (cover)

Black / White