

BANDED COLLECTION
PENDANT

SPECIFICATION SHEET
AUSTRALIA / INTERNATIONAL



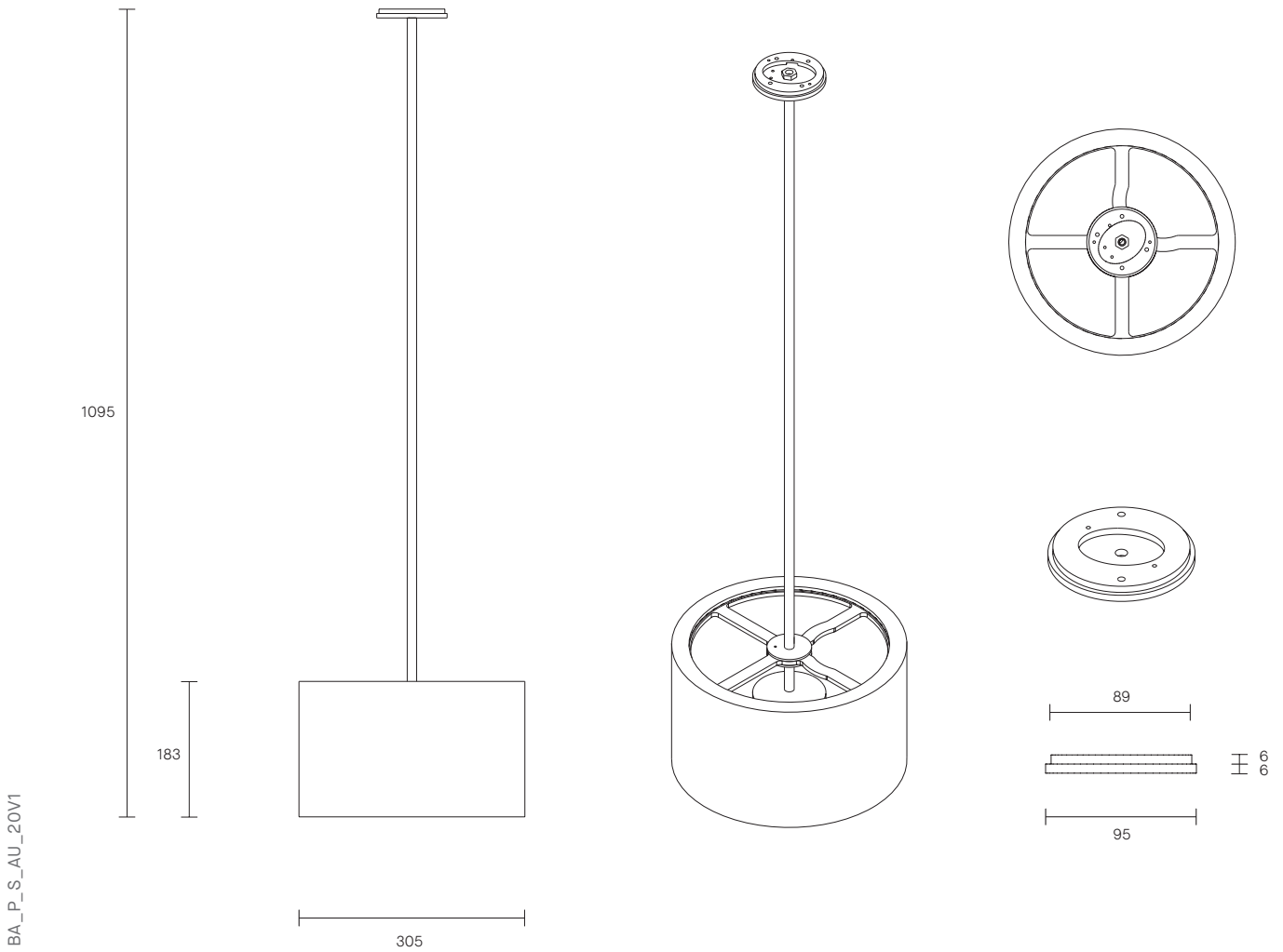
ARTICOLO

BANDED COLLECTION

PENDANT

SPECIFICATION SHEET

AUSTRALIA / INTERNATIONAL



ABOUT BANDED

Banded sees Articolo marry its contemporary design philosophy with centuries-old Japanese artisanship.

Each shade is produced by hand in Arita, Japan; a town famed for its porcelain and hand-painted finishes for over 200 years.

These superb art forms feature a custom designed light source, tirelessly perfected for the ultimate luminescent glow.

LEAD TIME

6 - 8 weeks

LIGHT SOURCE

12V 3.8W LED board

3000K warm white

300 lumens

Dimmable (upon request)

INSTALLATION

Supplied with external driver

CUSTOMISATION

Standard drop length up to 1200mm. Additional charge will apply for longer drop lengths, price upon request.

WEIGHT

4.5kg

FITTING FINISHES

Brass (shown)

Mid Bronze

Satin Nickel

SHADE COLOURS

Striped (shown)

Black and White

CERTIFICATION

CE/AU

WARRANTY

3 years