

FIZI COLLECTION
SLAB PENDANT

UL SPECIFICATION SHEET
NORTH AMERICA



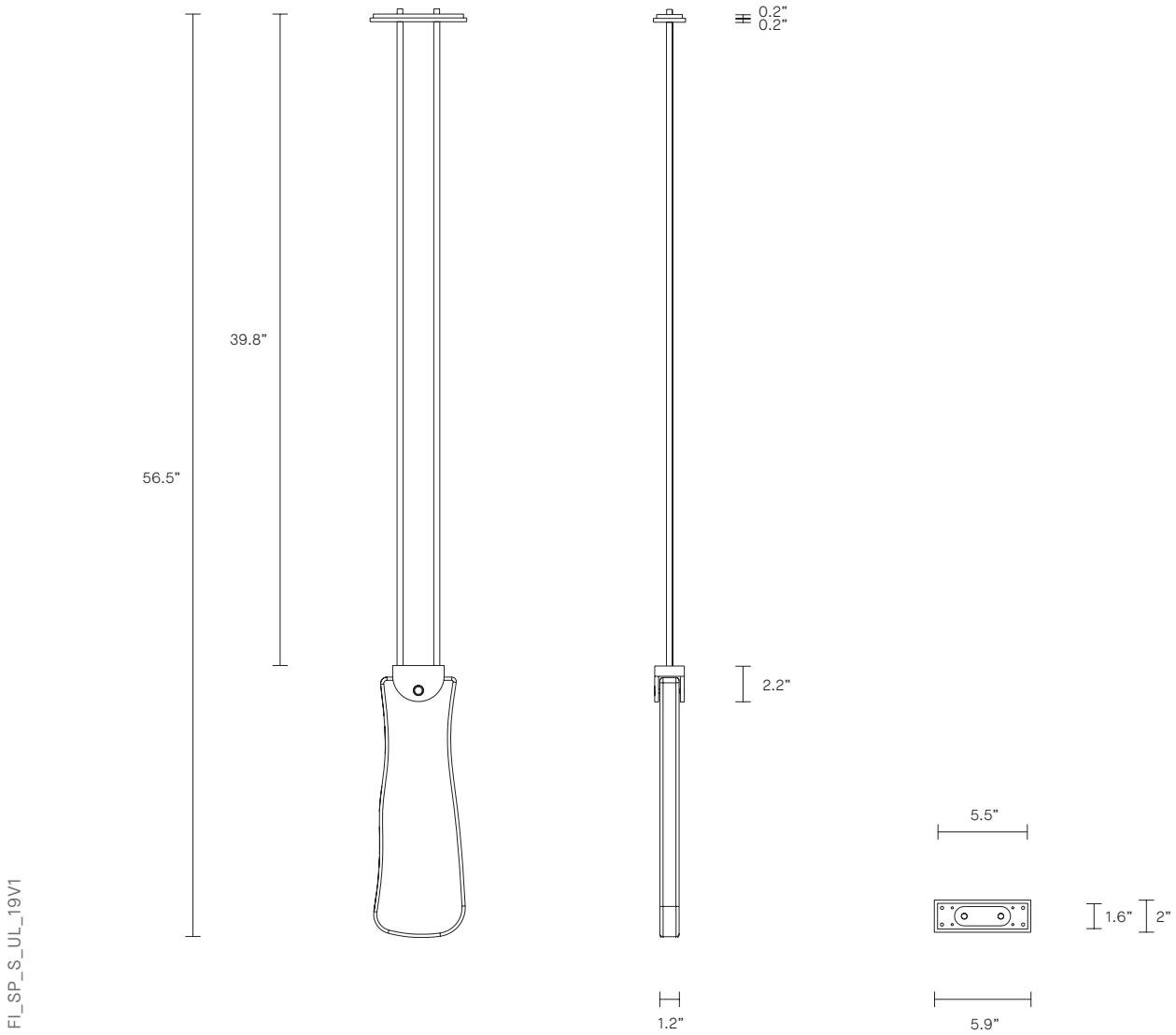
ARTICOLO

FIZI COLLECTION

SLAB PENDANT

UL SPECIFICATION SHEET

NORTH AMERICA



ABOUT SLAB

Slab is a lighting design 12 months in the making. Exploring the artisanal quality of mouth-blown glass to dramatic effect, each sculptural piece is distinguished by its unpredictable, elongated organic form.

Available as both Pendant and Wall Sconce, the striking light has been imagined in clear glass with the addition of striking jewel tones, or in Articolo's signature 'effervescent' mouthblown finish known as Fizi.

LEAD TIME

8 - 10 weeks

LIGHT SOURCE

24V 1.8W LED strip
3000k warm white
80 lumens

INSTALLATION

Supplied with external driver

CUSTOMISATION

Variations to rod length can be specified at time of order placement

WEIGHT

11.5 lb

FITTING FINISH

Brass (shown)
Mid Bronze
Satin Nickel
Articolo Black
Matte White

SHADE COLOURS

Fizi (shown)
Grey
Ocean
Drunken Emerald

CERTIFICATION

US/ETL/CA

WARRANTY

3 years