

FIZI COLLECTION  
SLAB WALL SCONCE

UL SPECIFICATION SHEET  
NORTH AMERICA



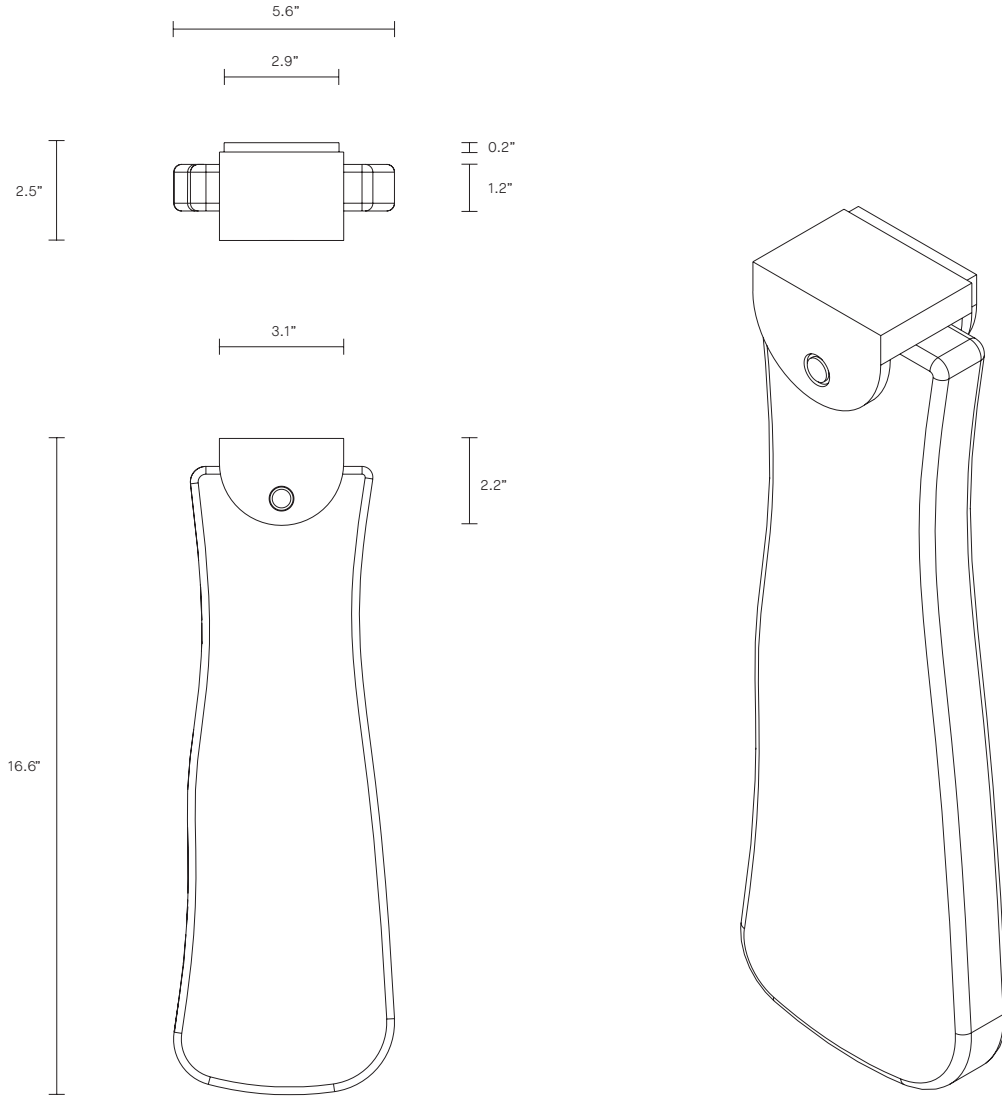
ARTICOLO

# FIZI COLLECTION

## SLAB WALL SCONCE

# UL SPECIFICATION SHEET

NORTH AMERICA



FI\_SWS\_S\_UL\_19V1

### ABOUT SLAB

Slab is a lighting design 12 months in the making. Exploring the artisanal quality of mouth-blown glass to dramatic effect, each sculptural piece is distinguished by its unpredictable, elongated organic form.

Available as both Pendant and Wall Sconce, the striking light has been imagined in clear glass with the addition of striking jewel tones, or in Articolo's signature 'effervescent' mouthblown finish known as Fizi.

### LEAD TIME

8 - 10 weeks

### LIGHT SOURCE

24V 1.8W LED strip  
3000k warm white  
80 lumens

### INSTALLATION

Supplied with external driver

### WEIGHT

11.5 lb

### FITTING FINISH

Brass (shown)  
Mid Bronze  
Satin Nickel  
Articolo Black  
Matte White

### SHADE COLOURS

Fizi (shown)  
Grey  
Ocean  
Drunken Emerald

### CERTIFICATION

US/ETL/CA

### WARRANTY

3 years