

SCANDAL COLLECTION

TALL WALL SCONCE

UL SPECIFICATION SHEET

NORTH AMERICA



ARTICOLO

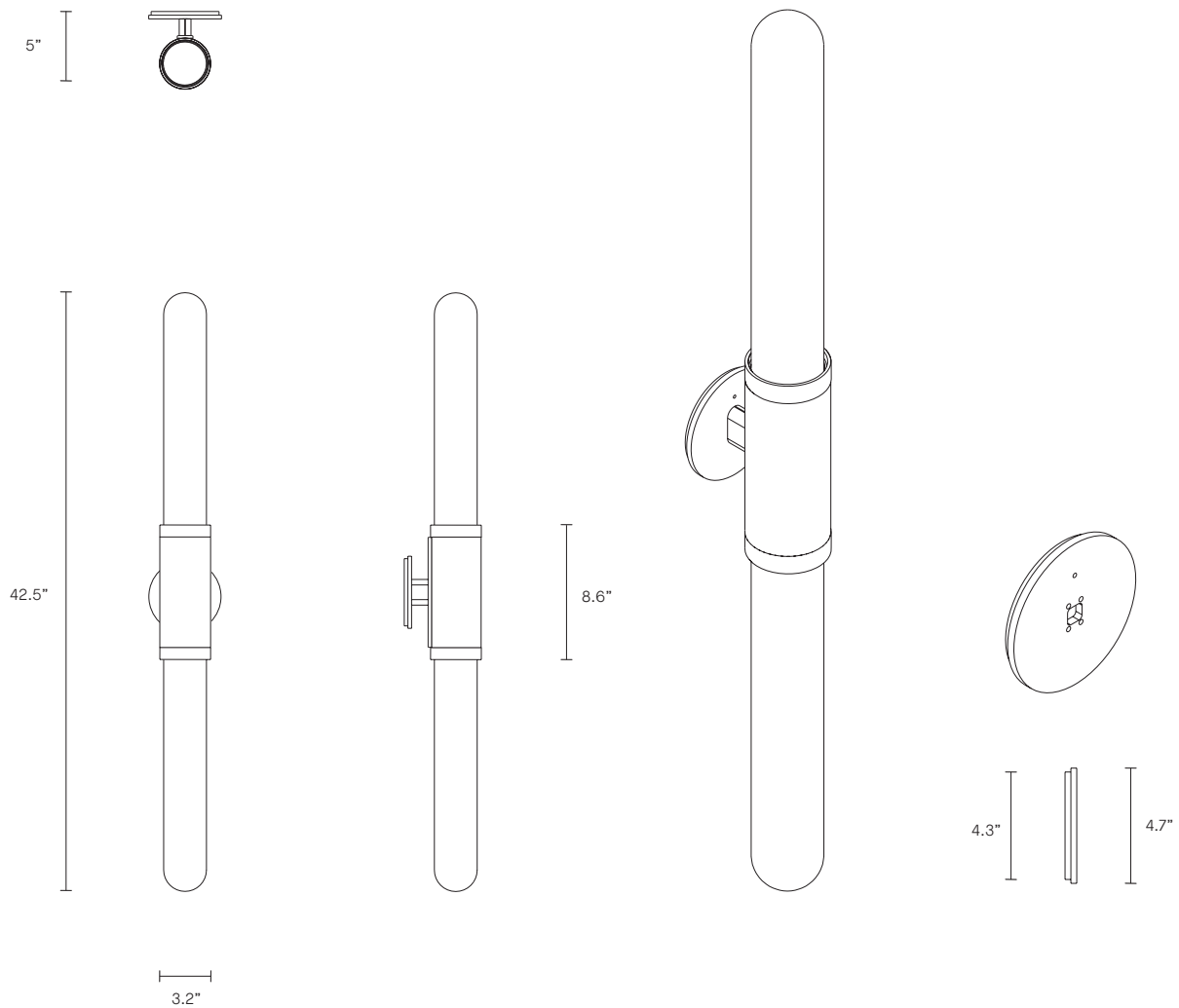
# SCANDAL COLLECTION

## TALL WALL SCONCE

## UL SPECIFICATION SHEET

NORTH AMERICA

SA\_TWS\_UL\_20V2



### ABOUT SCANDAL

Scandal is a collection of Pendants and Wall Sconces that casts a slim and finely considered silhouette.

Notable for its barrel-like cuff and inlaid with exquisite Brass, Silver, Rose Gold Mesh or Latte or Navy Leather, Scandal's elongated proportions are capped end-to-end by rounded glass that conceals the light source, exemplifying the quiet brilliance of artisanal glass and metalwork.

### LEAD TIME

8 - 10 weeks

### LIGHT SOURCE

2 x GU5.3 MR16 7W LED  
2700K warm white  
1000 total lumen output  
Dimmable (Luxtron/Diva/CL)  
Globes included

### INSTALLATION

Supplied with external driver (Hatch RL12-15m-LED transformer)  
Supplied with mounting plate to fit 4.0/3.5 Jbox

### WEIGHT

11 lb

### FITTING FINISHES

Brass (shown)  
Mid Bronze  
Satin Nickel

### INLAY

Brass Mesh  
Silver Mesh  
Rose Gold Mesh (shown)  
Latte Leather  
Navy Leather

### SHADE COLOURS

Snow  
Clear Fluted (shown)

### CERTIFICATION

US/ETL/CA

### WARRANTY

3 years