

TRILOGY COLLECTION  
PENDANT

SPECIFICATION SHEET  
AUSTRALIA / INTERNATIONAL



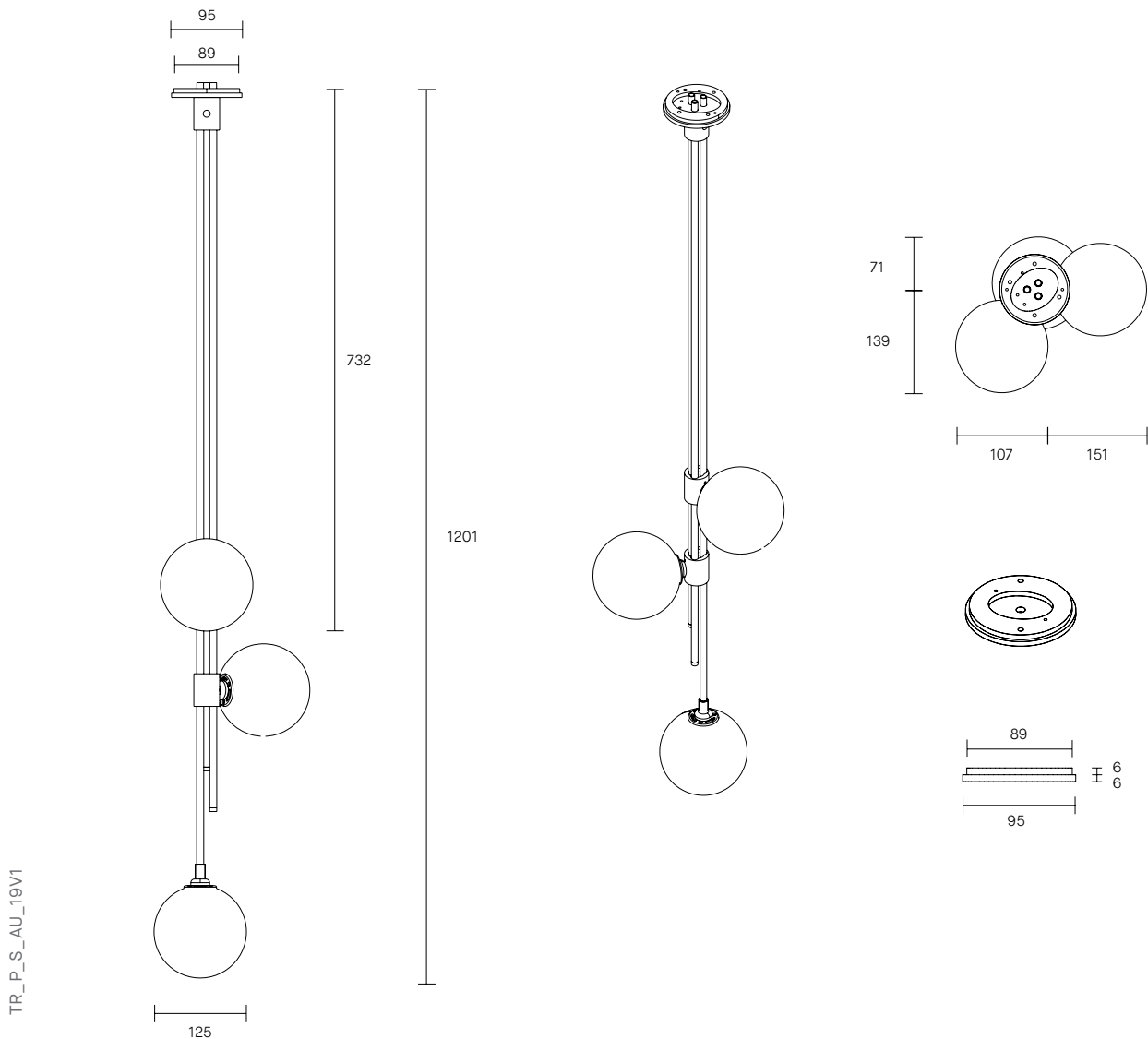
ARTICOLO

# TRIOLOGY COLLECTION

## PENDANT

## SPECIFICATION SHEET

AUSTRALIA / INTERNATIONAL



### ABOUT TRIOLOGY

Originally conceived as a sculptural pendant, has been reimagined as a stunning Wall Sconce, it's light source concealed within a trio of mouth-blown glass orbs.

Trilogy exemplifies deceptively sophisticated engineering, a hallmark of the studio's growing body of work.

### LEAD TIME

6 -8 weeks

### LIGHT SOURCE

3 x12V, G4 2W LED bipin  
2700K

### INSTALLATION

Supplied with external driver

Requires driver/transformer  
installation

Dimmable upon request

### DIMENSIONS

Variations to rod length can  
be specified at time of order  
placement

### WEIGHT

8.5kg

### FITTING FINISHES

Brass (cover)  
Mid Bronze

### SHADE

Fizi  
Scandi  
Spoti Black  
Spoti White  
Drunken Emerald (cover)