

TRILOGY COLLECTION
PENDANT

UL SPECIFICATION SHEET
NORTH AMERICA



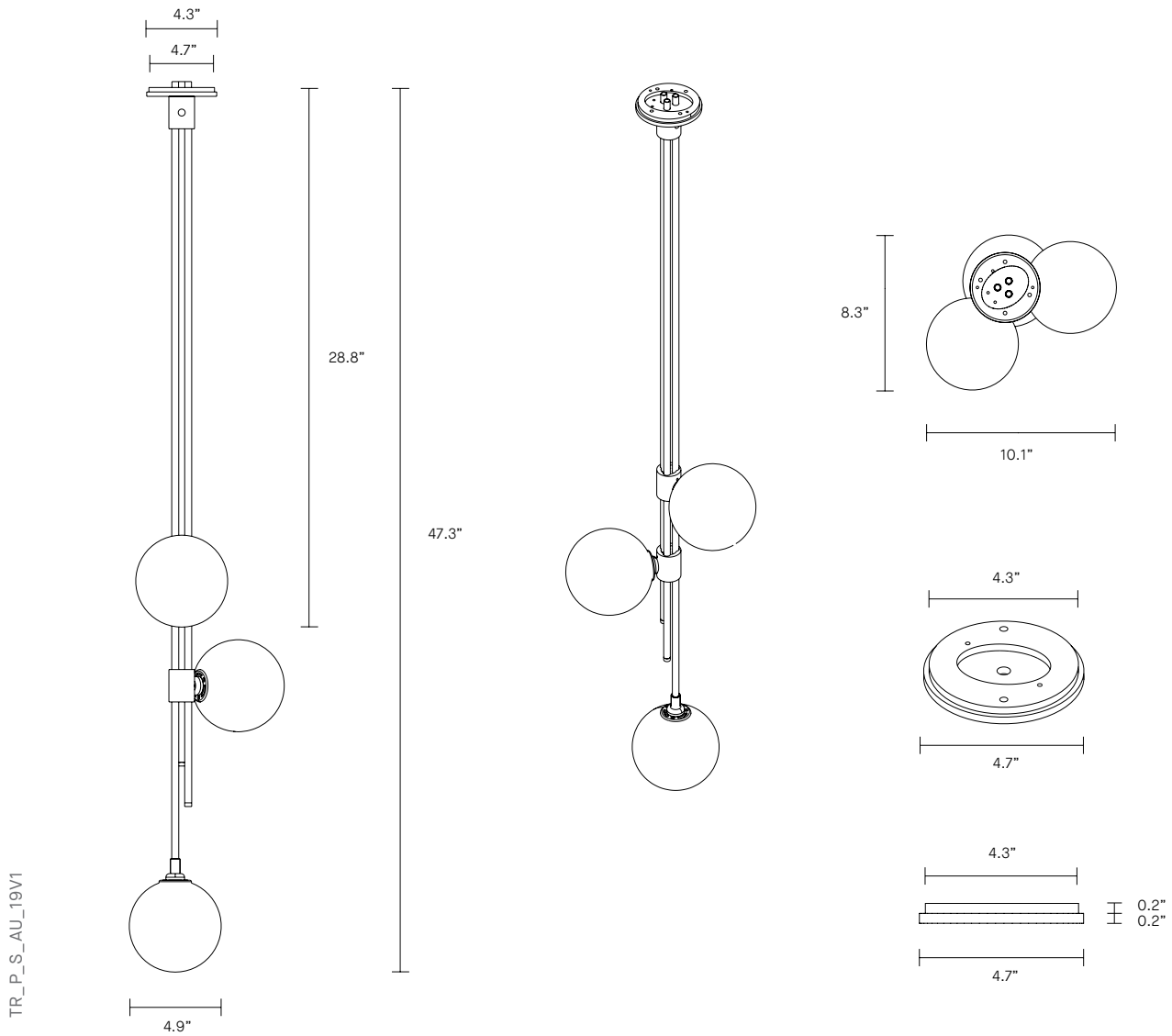
ARTICOLO

TRIOLOGY COLLECTION

PENDANT

UL SPECIFICATION SHEET

NORTH AMERICA



ABOUT TRIOLOGY

Originally conceived as a sculptural pendant, has been reimagined as a stunning Wall Sconce, it's light source concealed within a trio of mouth-blown glass orbs.

Trilogy exemplifies deceptively sophisticated engineering, a hallmark of the studio's growing body of work.

LEAD TIME

8 - 10 weeks

LIGHT SOURCE

3 x 12V, G4 2W LED 2700K
280 lumens

Supplied with external driver
(Hatch RS12-15M-LED
2.25x1.25x0.75)

Dimmable (Luxtron/Diva/CL)

INSTALLATION

Supplied with mounting plate to
fit 4.0/3.5 Jbox

WEIGHT

17.3lb

FITTING FINISHES

Brass (cover)

Mid Bronze

SHADE

Fizi (cover)

Scandi

Spoti Black

Spoti White

Drunken Emerald