

TRILOGY COLLECTION
PENDANT

SPECIFICATION SHEET
AUSTRALIA / INTERNATIONAL



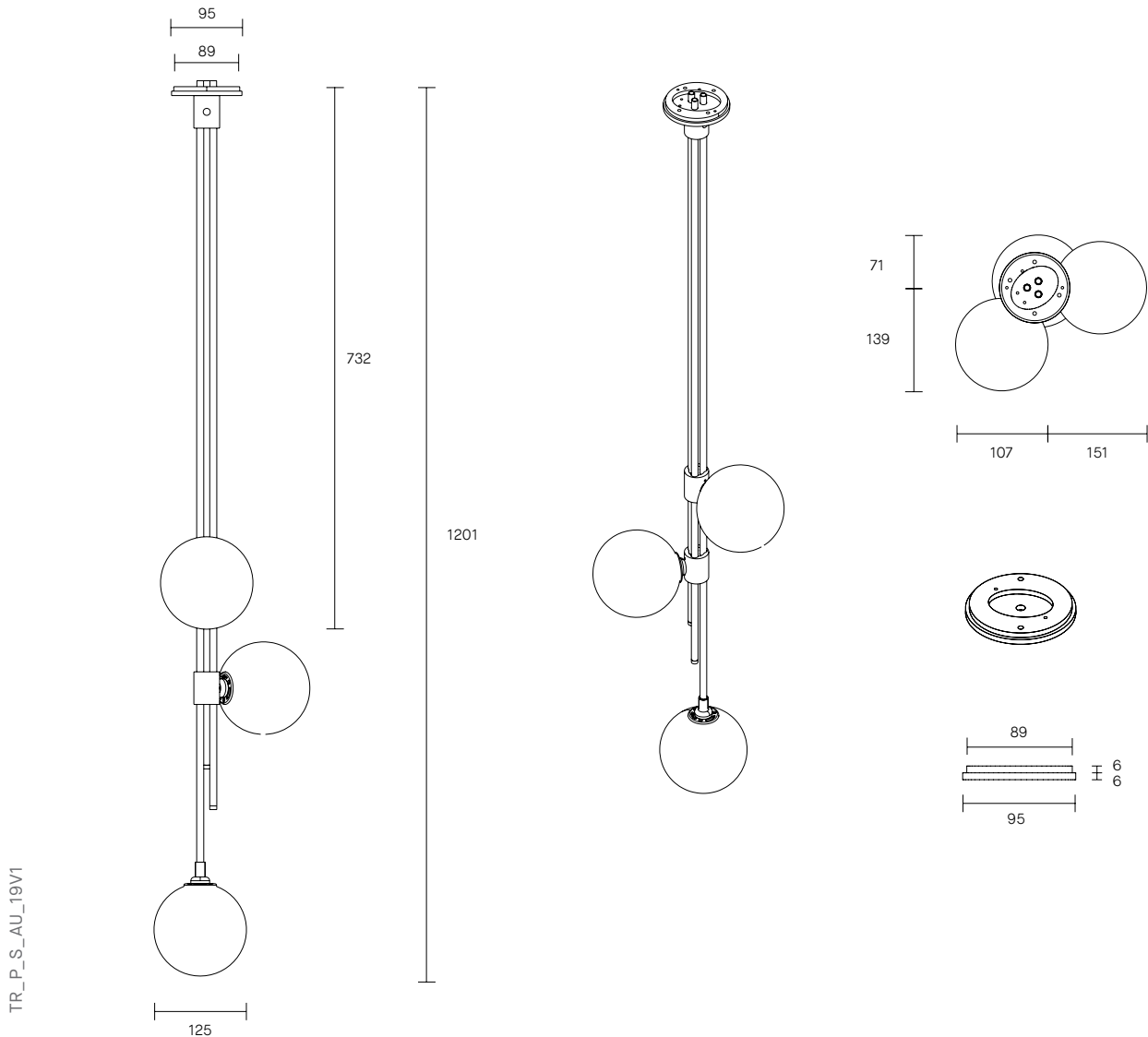
ARTICOLO

TRIOLOGY COLLECTION

PENDANT

SPECIFICATION SHEET

AUSTRALIA / INTERNATIONAL



TR_P_S_AU_19V1

ABOUT TRIOLOGY

Originally conceived as a sculptural pendant, has been reimagined as a stunning Wall Sconce, it's light source concealed within a trio of mouth-blown glass orbs.

Trilogy exemplifies deceptively sophisticated engineering, a hallmark of the studio's growing body of work.

LEAD TIME

6 -8 weeks

LIGHT SOURCE

3 x12V, G4 2W LED bipin
2700K

INSTALLATION

Supplied with external driver

Requires driver/transformer
installation

Dimmable upon request

DIMENSIONS

Variations to rod length can
be specified at time of order
placement

WEIGHT

8.5 kg

FITTING FINISHES

Brass (cover)

Mid Bronze

SHADE

Fizi

Scandi

Spoti Black

Spoti White (cover)

Drunken Emerald