

TRILOGY COLLECTION  
PENDANT

UL SPECIFICATION SHEET  
NORTH AMERICA



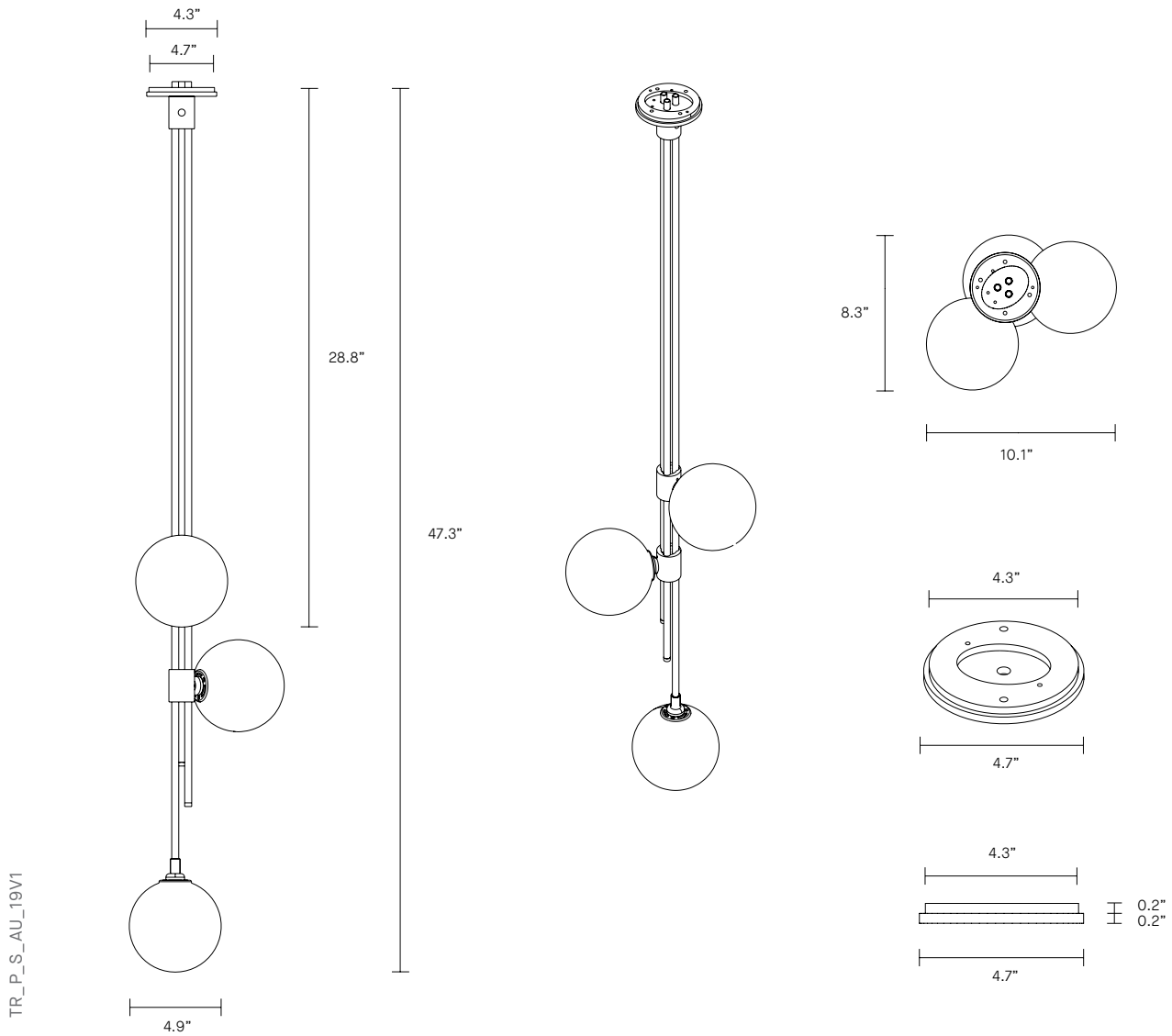
ARTICOLO

# TRIOLOGY COLLECTION

## PENDANT

# UL SPECIFICATION SHEET

## NORTH AMERICA



### ABOUT TRIOLOGY

Originally conceived as a sculptural pendant, has been reimagined as a stunning Wall Sconce, it's light source concealed within a trio of mouth-blown glass orbs.

Trilogy exemplifies deceptively sophisticated engineering, a hallmark of the studio's growing body of work.

### LEAD TIME

8 - 10 weeks

### LIGHT SOURCE

3 x 12V, G4 2W LED 2700K  
280 lumens

Supplied with external driver  
(Hatch RS12-15M-LED  
2.25x1.25x0.75)

Dimmable (Luxtron/Diva/CL)

### INSTALLATION

Supplied with mounting plate to  
fit 4.0/3.5 Jbox

### WEIGHT

17.3lb

### FITTING FINISHES

Brass (cover)

Mid Bronze

### SHADE

Fizi

Scandi

Spoti Black

Spoti White (cover)

Drunken Emerald