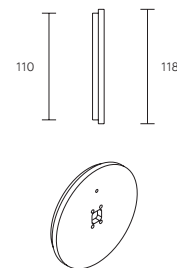
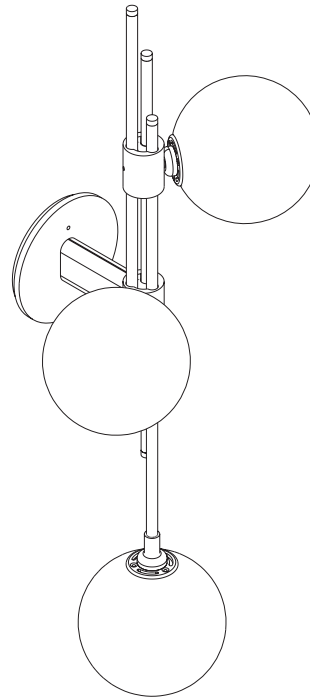
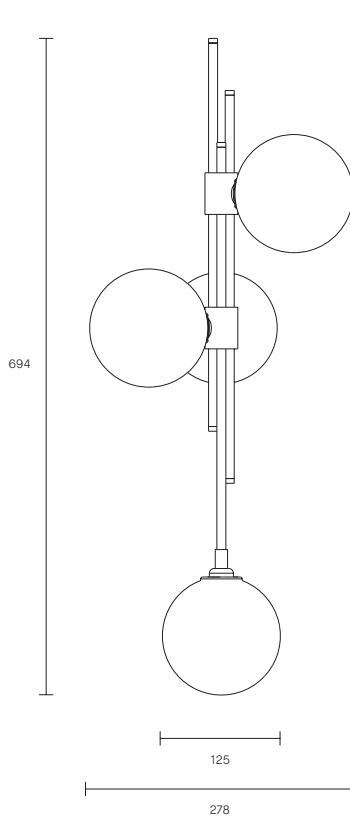
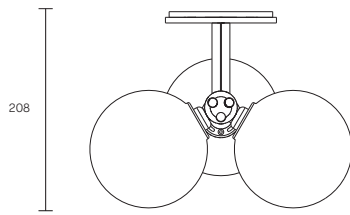


# TRILOGY COLLECTION

## TRILOGY WALL SCONCE

# SPECIFICATION SHEET

AUSTRALIA / INTERNATIONAL



TR\_WS\_ST\_AU\_19V1

### ABOUT TRILOGY

Trilogy collection exemplifies contemporary sophistication of yesteryear drawing from art deco imaginings with staggered rods and jewel like cuff detailing and a trio of mouthblown orbs.

Available in wall sconce and pendant options.

### LEAD TIME

6 - 8 weeks

### LIGHT SOURCE

3 x 12V G4 2W LED bipin  
2700K warm white  
600 total lumen output  
Dimmable (upon request)  
Globes included

### INSTALLATION

Supplied with external driver

### CUSTOMISATION

Variations to rod length can be specified at time of order placement

### WEIGHT

7kg

### FITTING FINISHES

Brass (shown)  
Mid Bronze  
Satin Nickel

### SHADE COLOURS

Fizi  
Scandi  
Spoti Black  
Spoti White  
Drunken Emerald (shown)

### CERTIFICATION

CE/AU

### WARRANTY

3 years