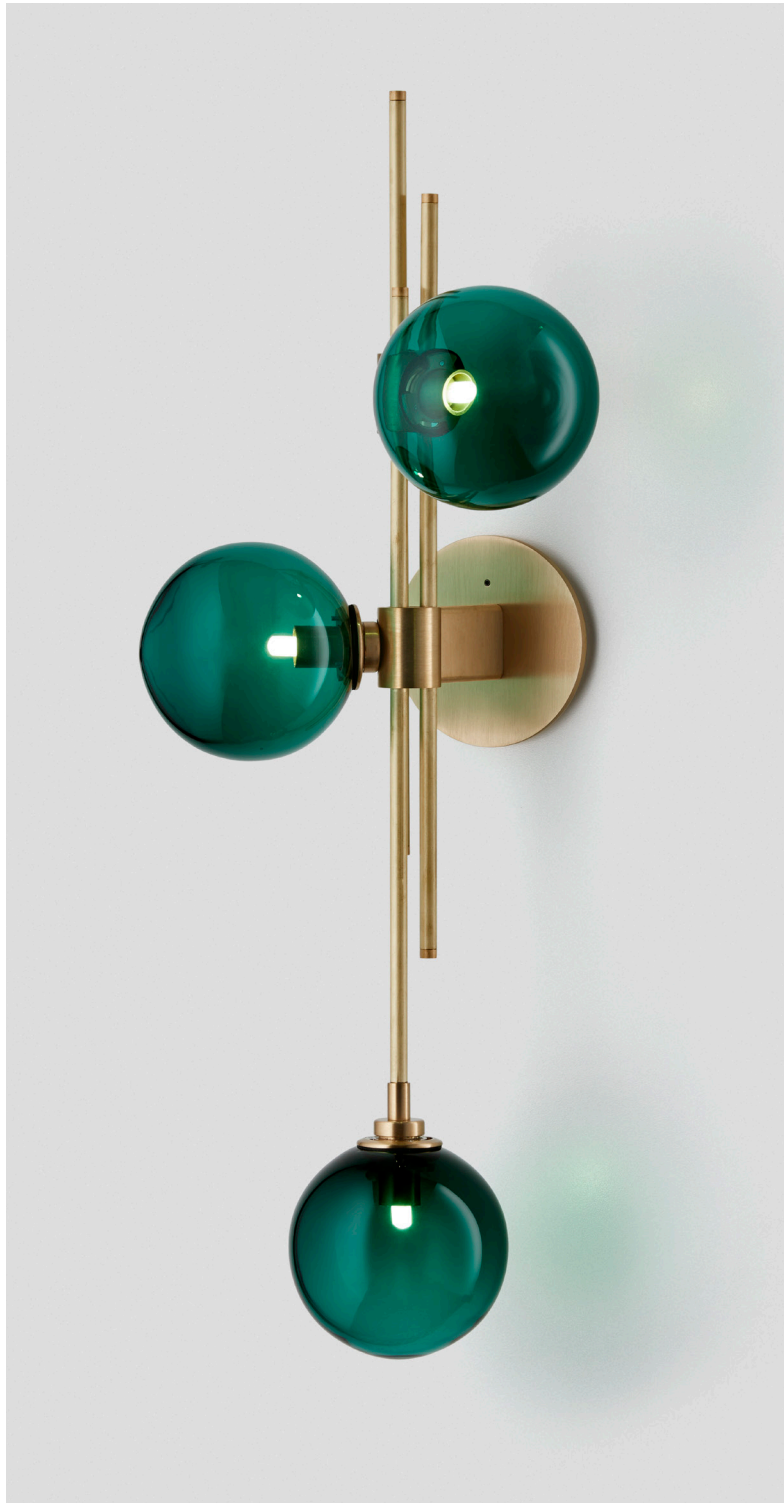


TRILOGY COLLECTION
TRILOGY WALL SCONCE

UL SPECIFICATION SHEET
NORTH AMERICA



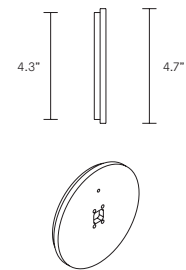
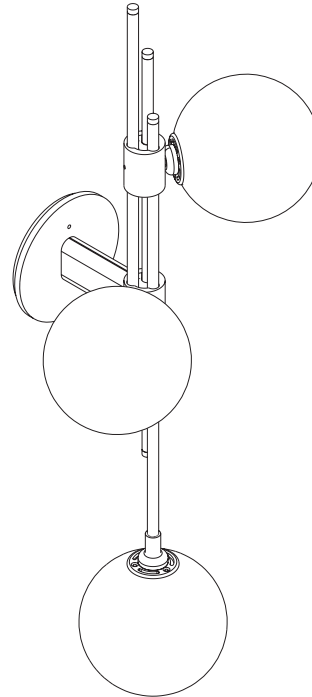
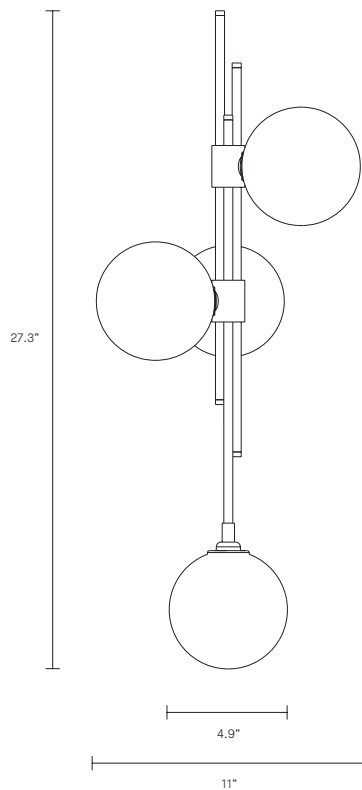
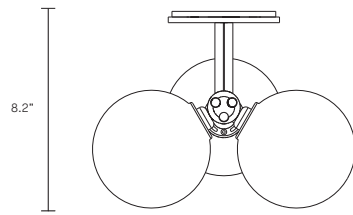
ARTICOLO

TRILOGY COLLECTION

TRILOGY WALL SCONCE

UL SPECIFICATION SHEET

NORTH AMERICA



TR_WS_ST_UL_20V1

ABOUT TRILOGY

Trilogy collection exemplifies contemporary sophistication of yesteryear drawing from art deco imaginings with staggered rods and jewel like cuff detailing and a trio of mouthblown orbs.

Available in wall sconce and pendant options.

LEAD TIME

8 - 10 weeks

LIGHT SOURCE

3 x 12V G4 2W LED bipin
3000K warm white
630 total lumen output
Dimmable (Luxtron/Diva/CL)
Globes included

INSTALLATION

Supplied with external driver
and mounting plate to fit
4.0/3.5 Jbox

CUSTOMISATION

Variations to rod length can
be specified at time of order
placement

WEIGHT

15.5 lb

FITTING FINISHES

Brass (shown)
Mid Bronze
Satin Nickel

SHADE COLOURS

Fizi
Scandi
Spoti Black
Spoti White
Drunken Emerald (shown)

CERTIFICATION

US/ETL/CA

WARRANTY

3 years