

TRILOGY COLLECTION
TRILOGY WALL SCONCE

SPECIFICATION SHEET
AUSTRALIA / INTERNATIONAL



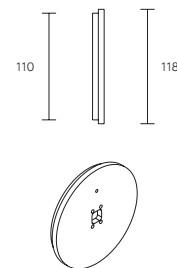
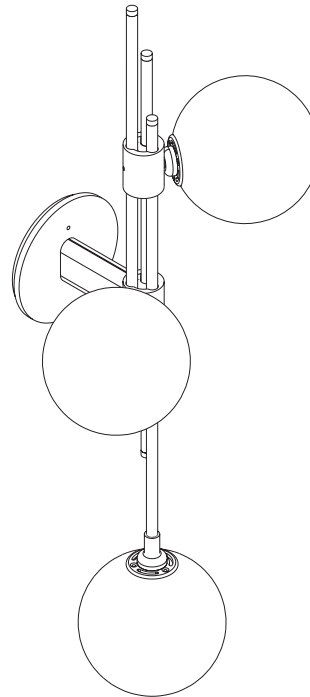
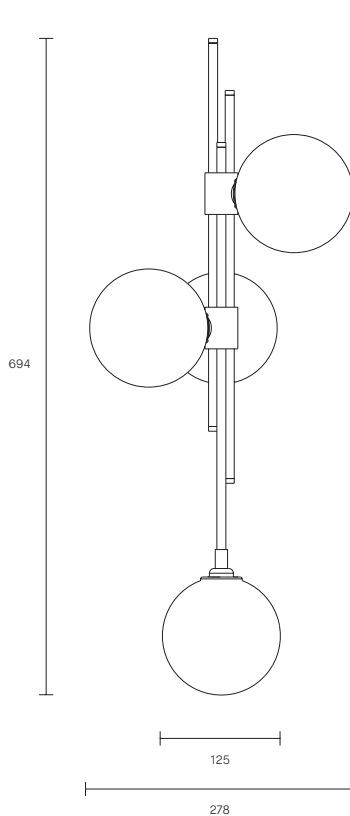
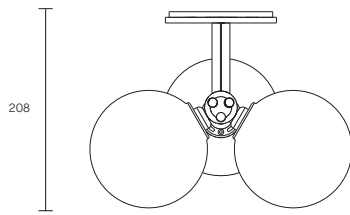
ARTICOLO

TRILOGY COLLECTION

TRILOGY WALL SCONCE

SPECIFICATION SHEET

AUSTRALIA / INTERNATIONAL



TR_WS_ST_AU_19V1

ABOUT TRILOGY

Trilogy collection exemplifies contemporary sophistication of yesteryear drawing from art deco imaginings with staggered rods and jewel like cuff detailing and a trio of mouthblown orbs.

Available in wall sconce and pendant options.

LEAD TIME

6 - 8 weeks

LIGHT SOURCE

3 x 12V G4 2W LED bipin
2700K warm white
600 total lumen output
Dimmable (upon request)
Globes included

INSTALLATION

Supplied with external driver

CUSTOMISATION

Variations to rod length can be specified at time of order placement

WEIGHT

7kg

FITTING FINISHES

Brass (shown)
Mid Bronze
Satin Nickel

SHADE COLOURS

Fizi
Scandi
Spoti Black
Spoti White (shown)
Drunken Emerald

CERTIFICATION

CE/AU

WARRANTY

3 years